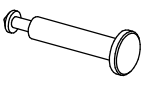


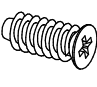
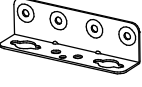
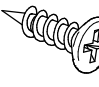
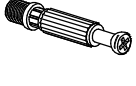
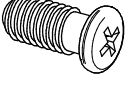
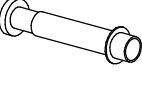
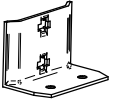
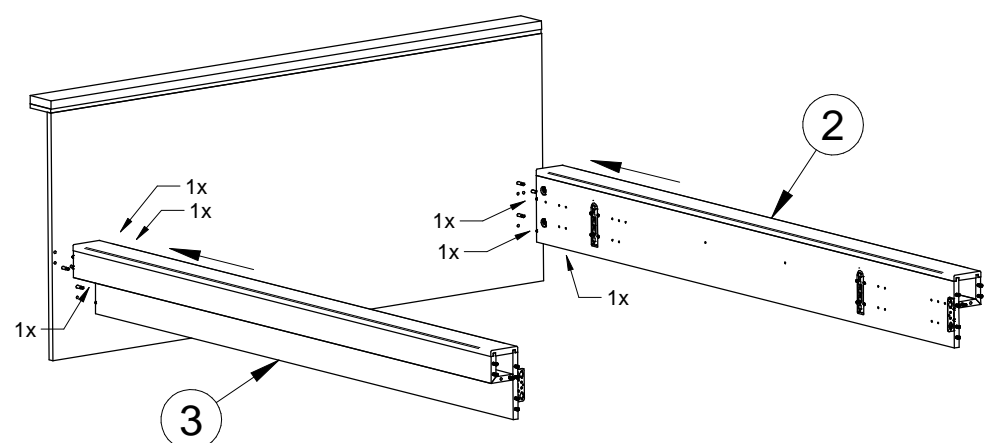
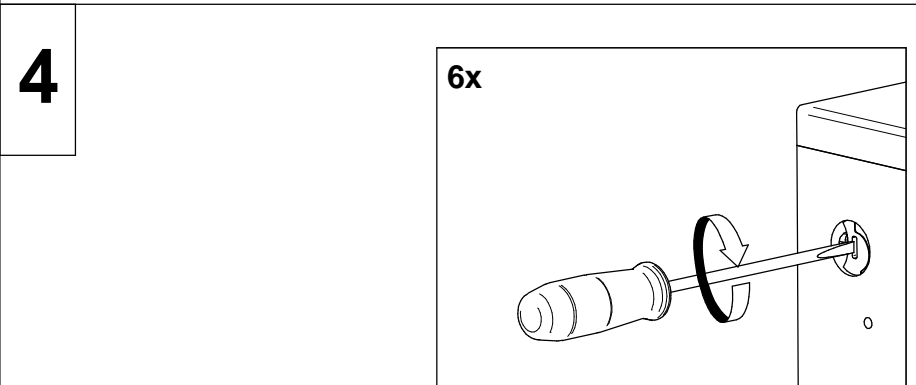
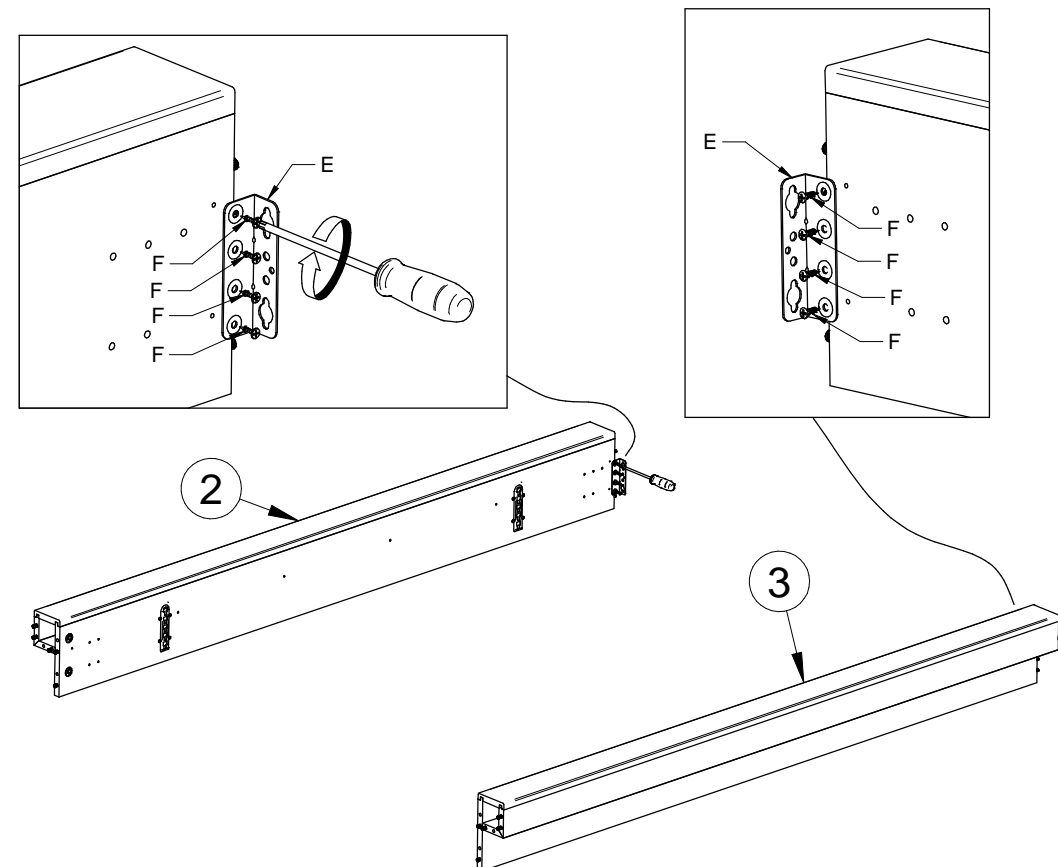
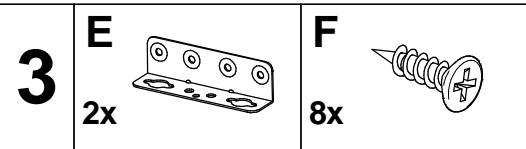
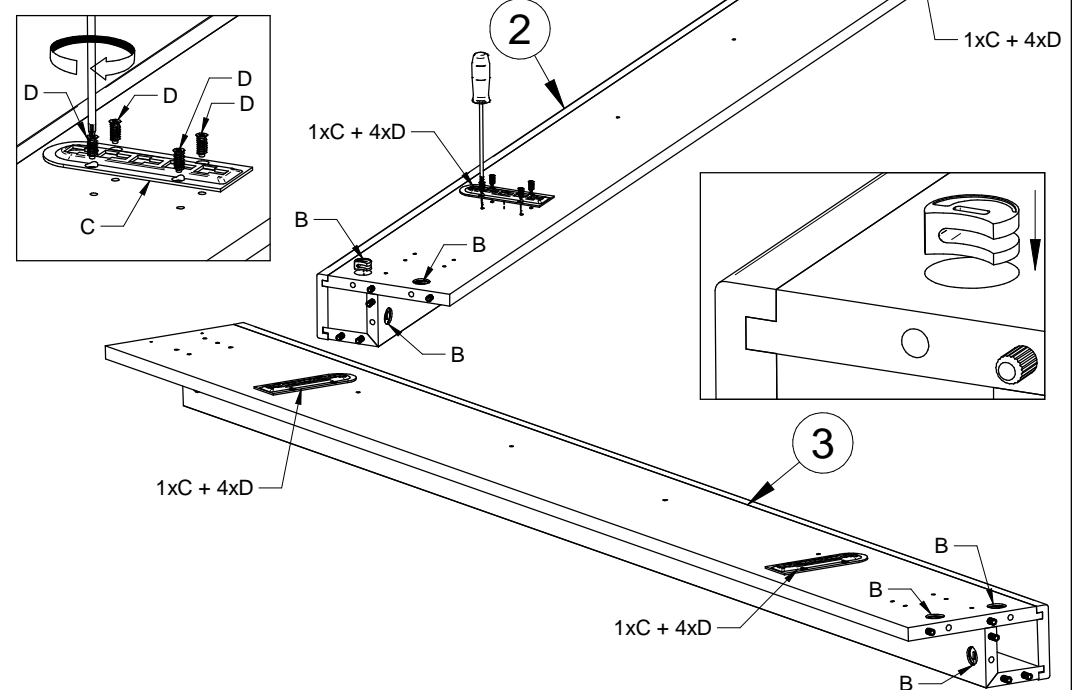
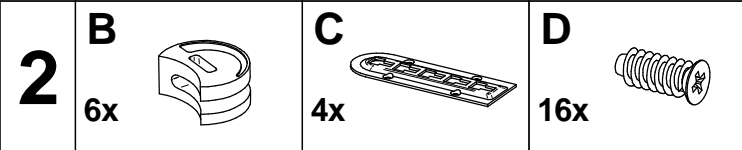
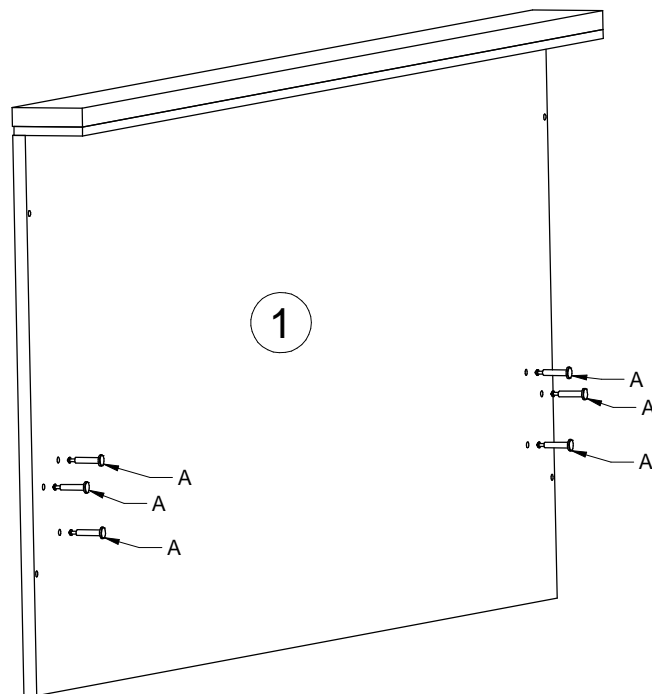
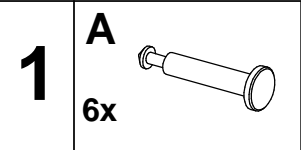
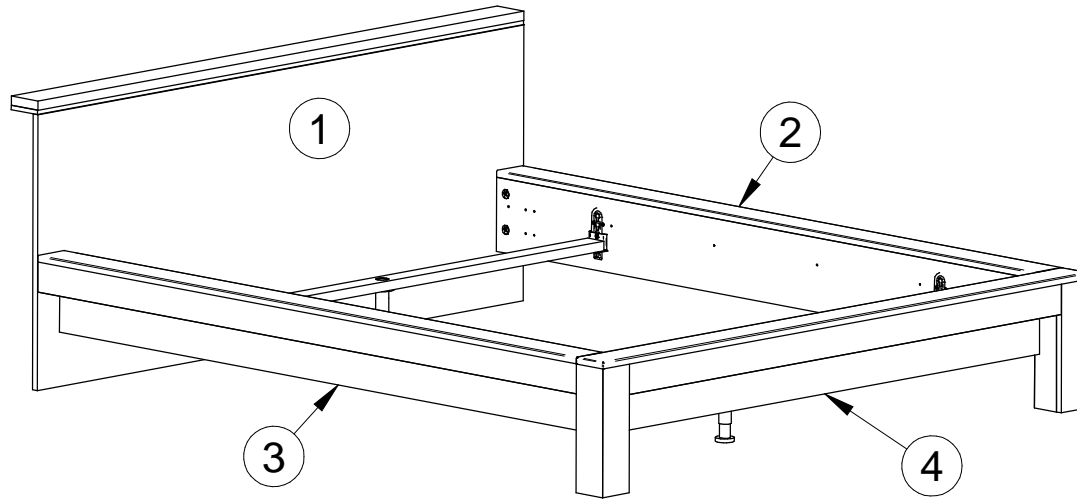
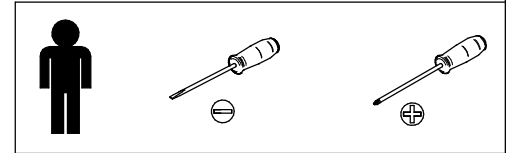
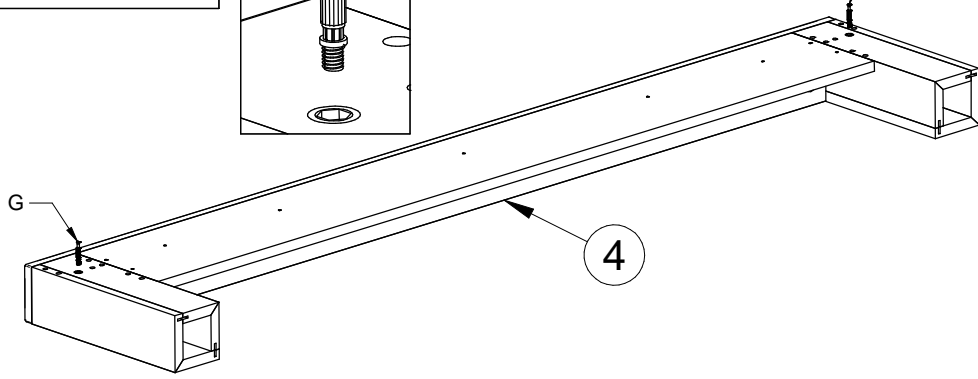
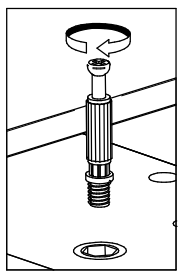


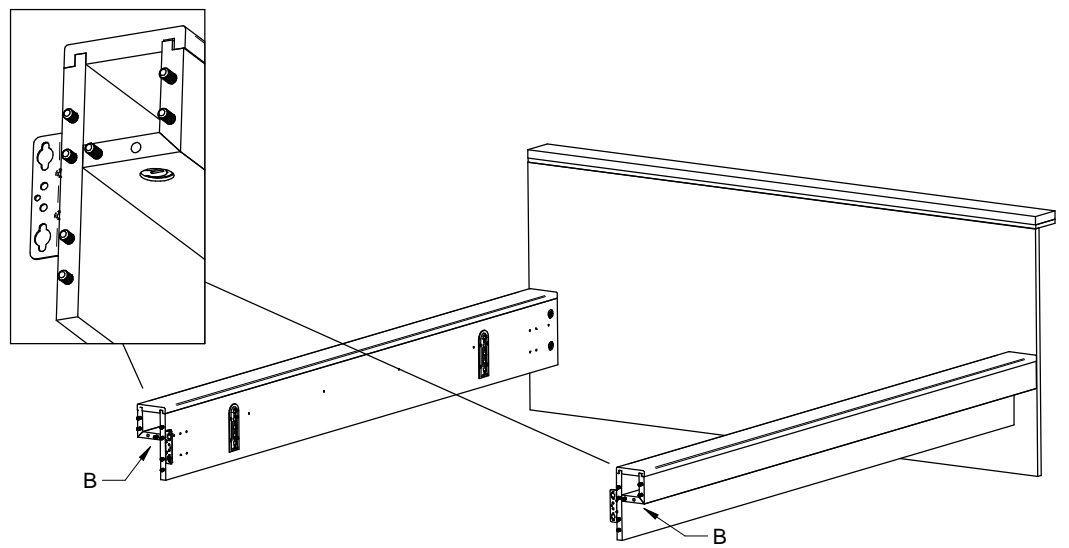
A 6x 	B 8x 	C 4x 	D 24x 	E 2x 	F 8x 
G 2x 	H 4x 	J 2x 	K 4x 		



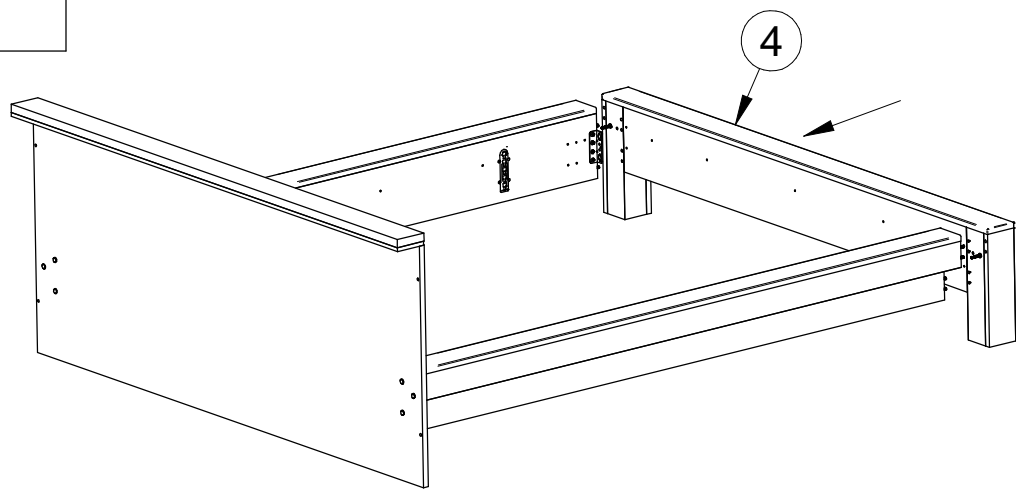
5 **G**
2x



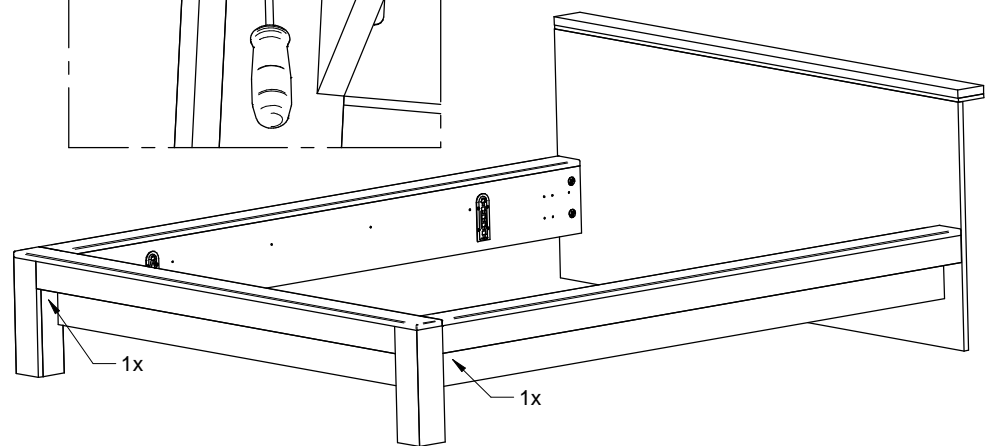
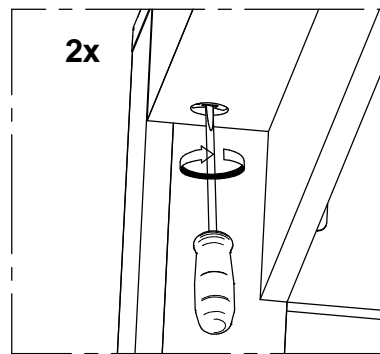
6 **B**
2x



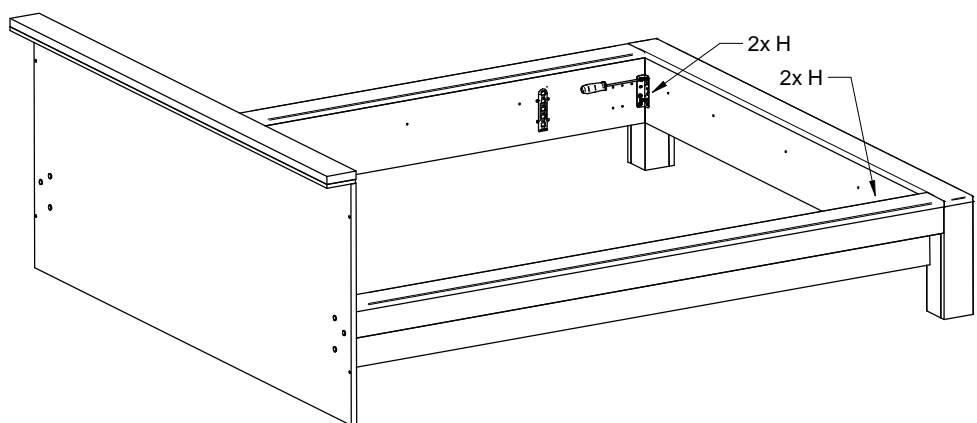
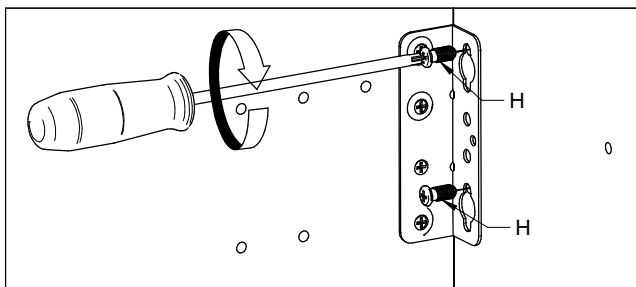
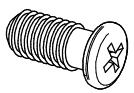
7



8



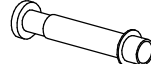
9 **H**
4x



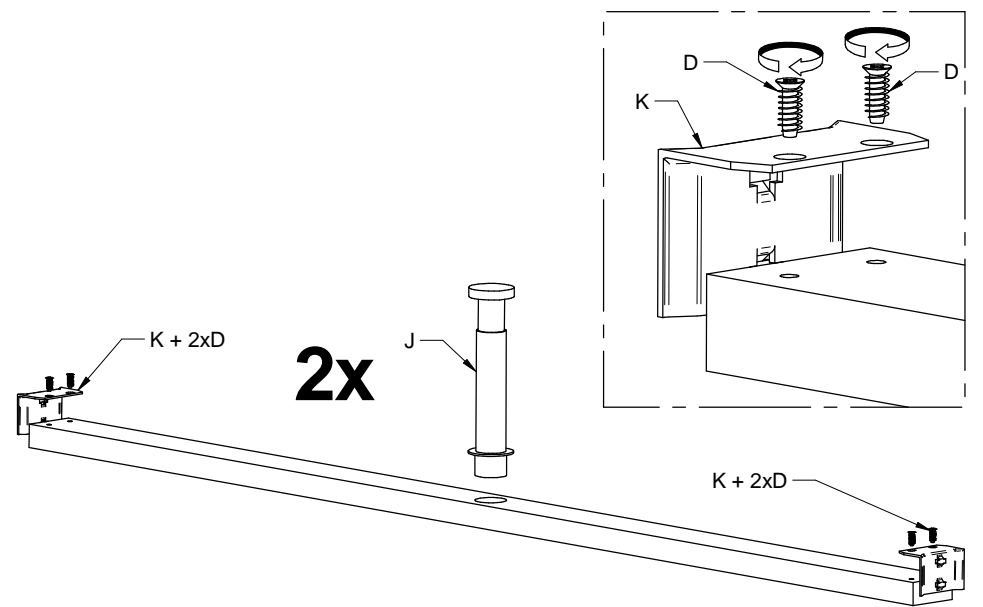
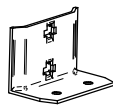
10 **D**
8x



J
2x



K
4x



11

