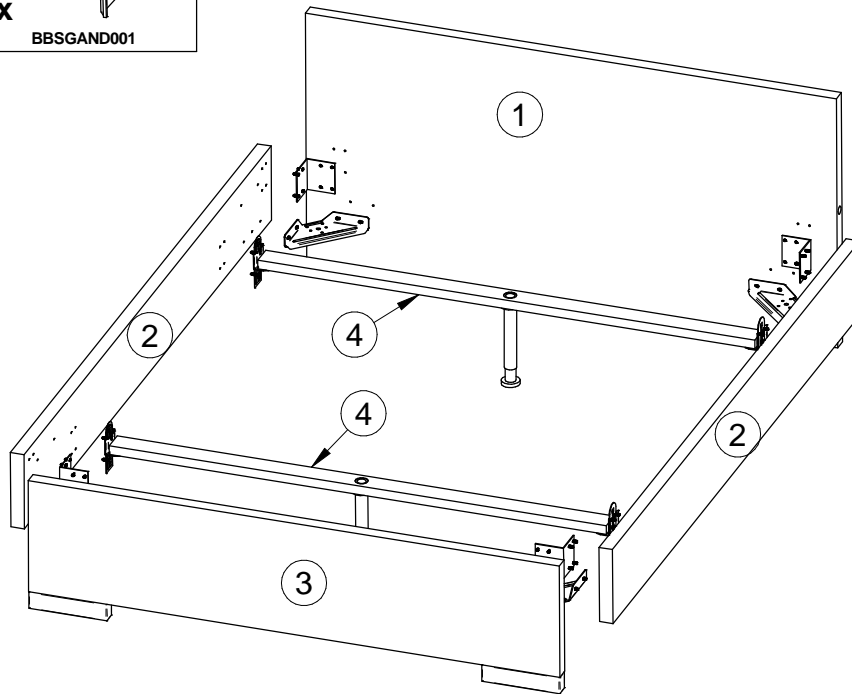
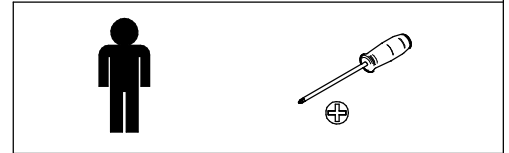
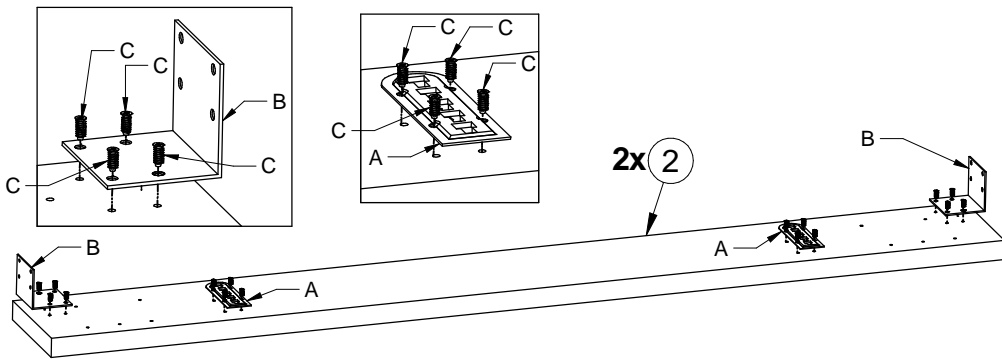


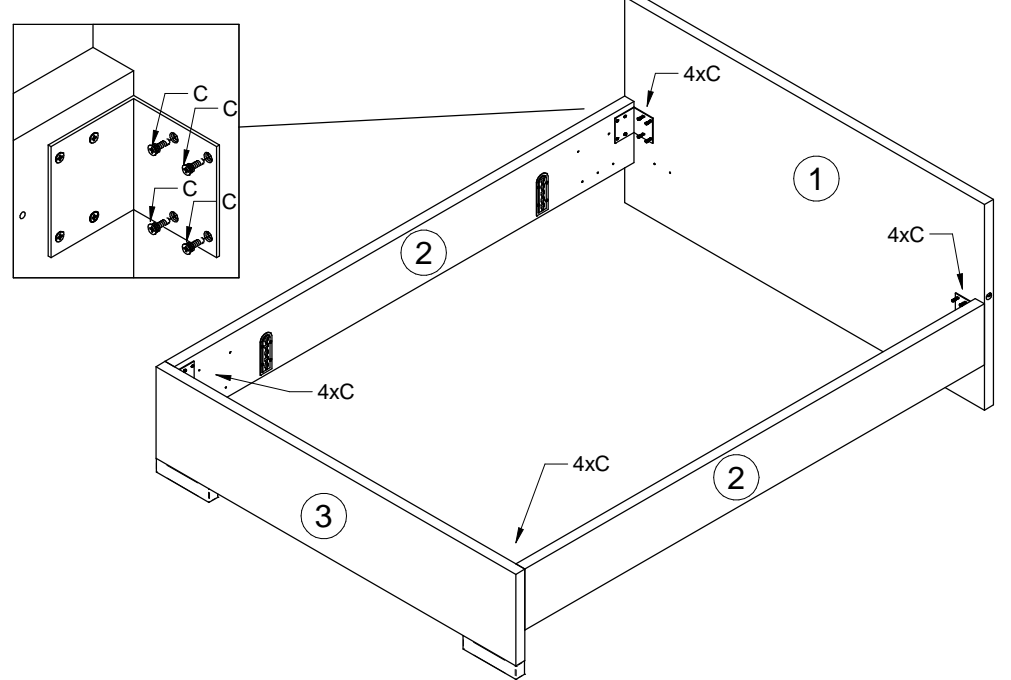
A 4x BBSGAND001	B 4x BBSG583	C 56x BVZN64	D 4x BBSG238
E 16x BVZN88	F 2x BBSGAND002	G 2x BBSGAND003	H 4x BBSGAND001



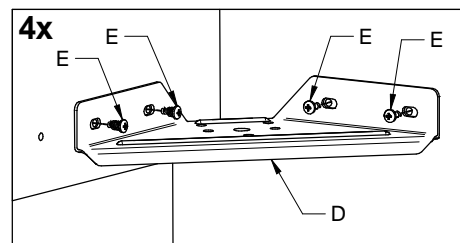
1	A 4x BBSGAND001	B 4x BBSG583	C 32x BVZN64
----------	------------------------------	---------------------------	---------------------------



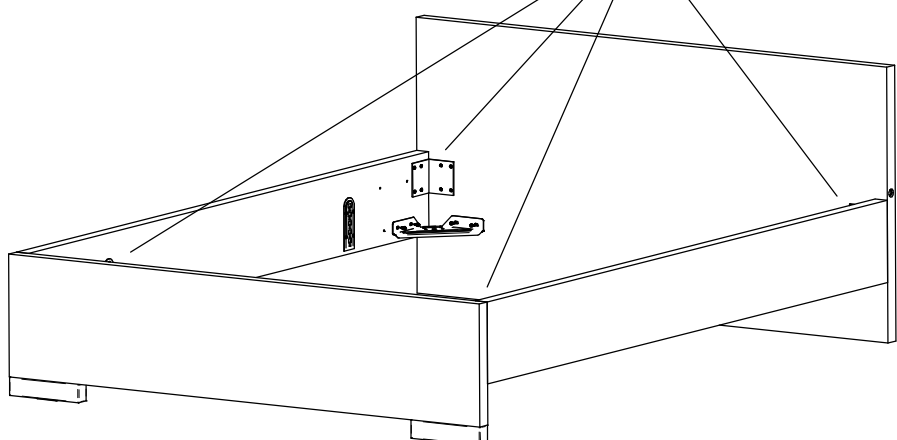
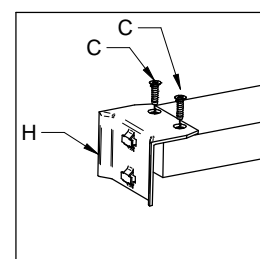
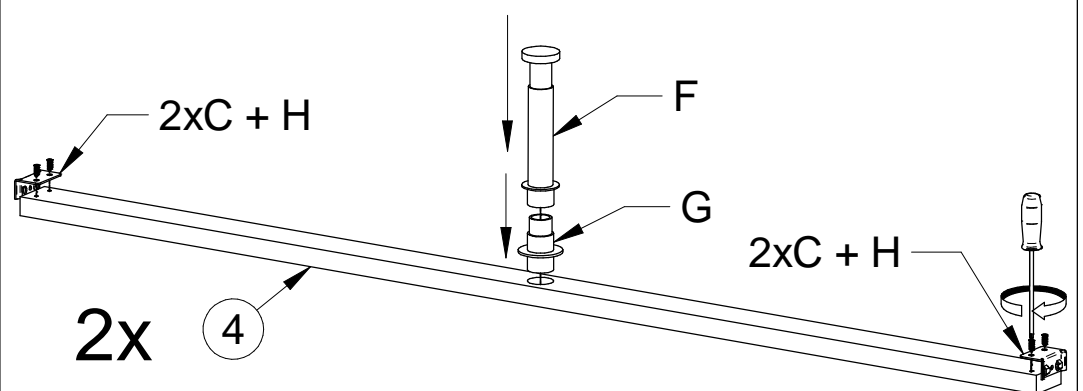
2	C 16x BVZN64
----------	---------------------------



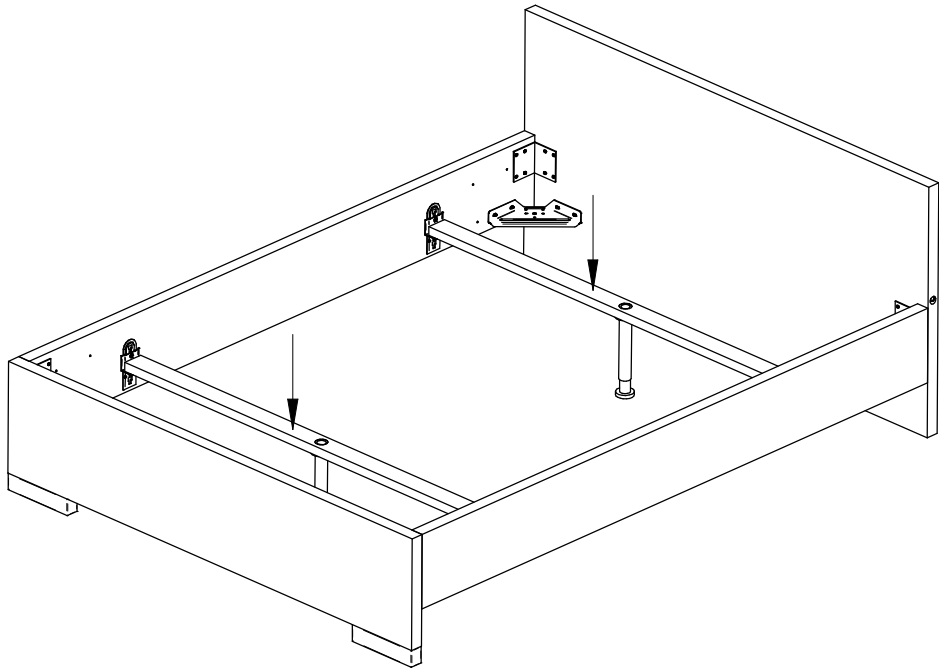
3	D 4x BBSG238	E 16x BVZN88
----------	---------------------------	---------------------------



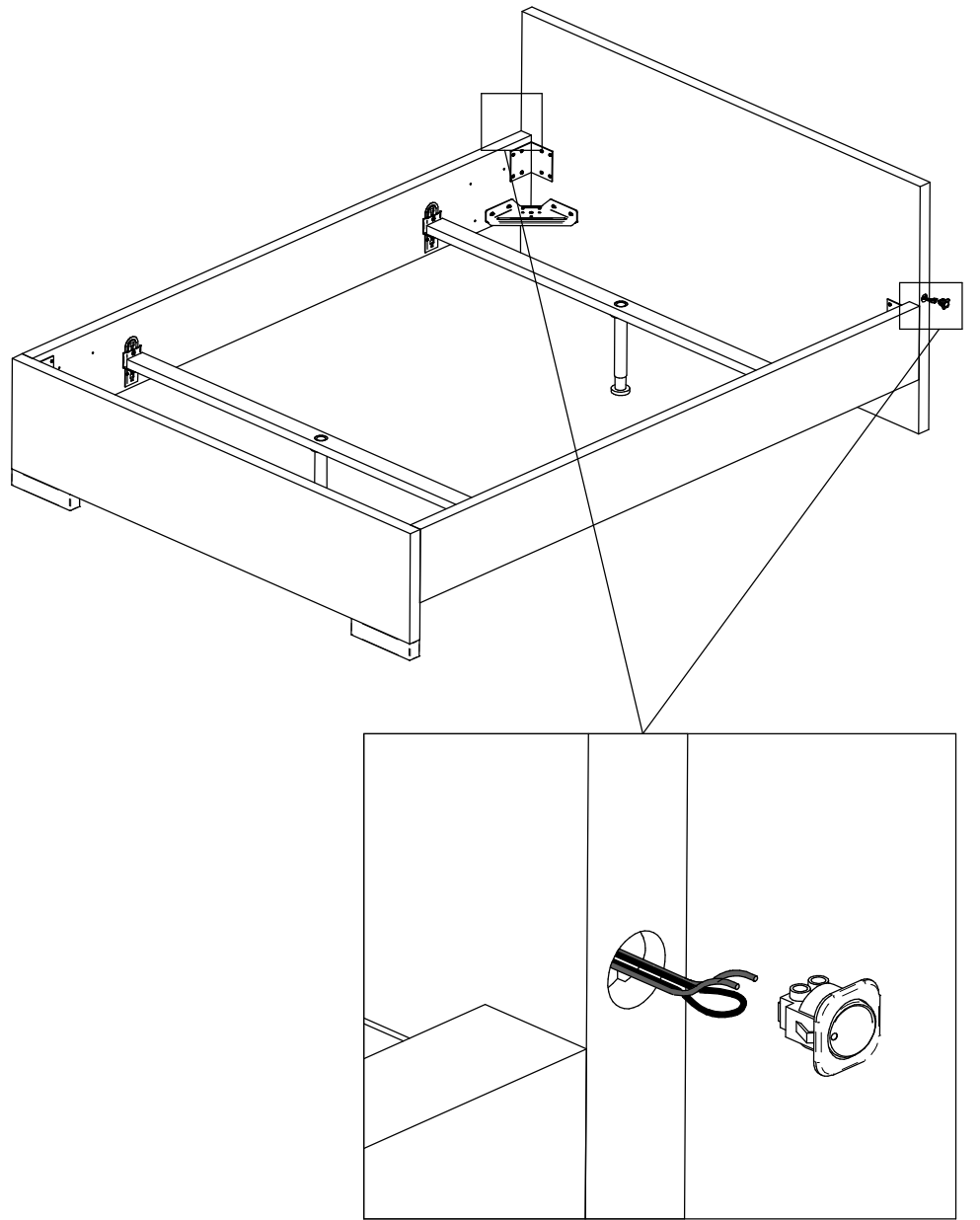
4	C 8x BVZN64	F 2x BBSGAND002	G 2x BBSGAND003	H 4x BBSGAND001
----------	--------------------------	------------------------------	------------------------------	------------------------------



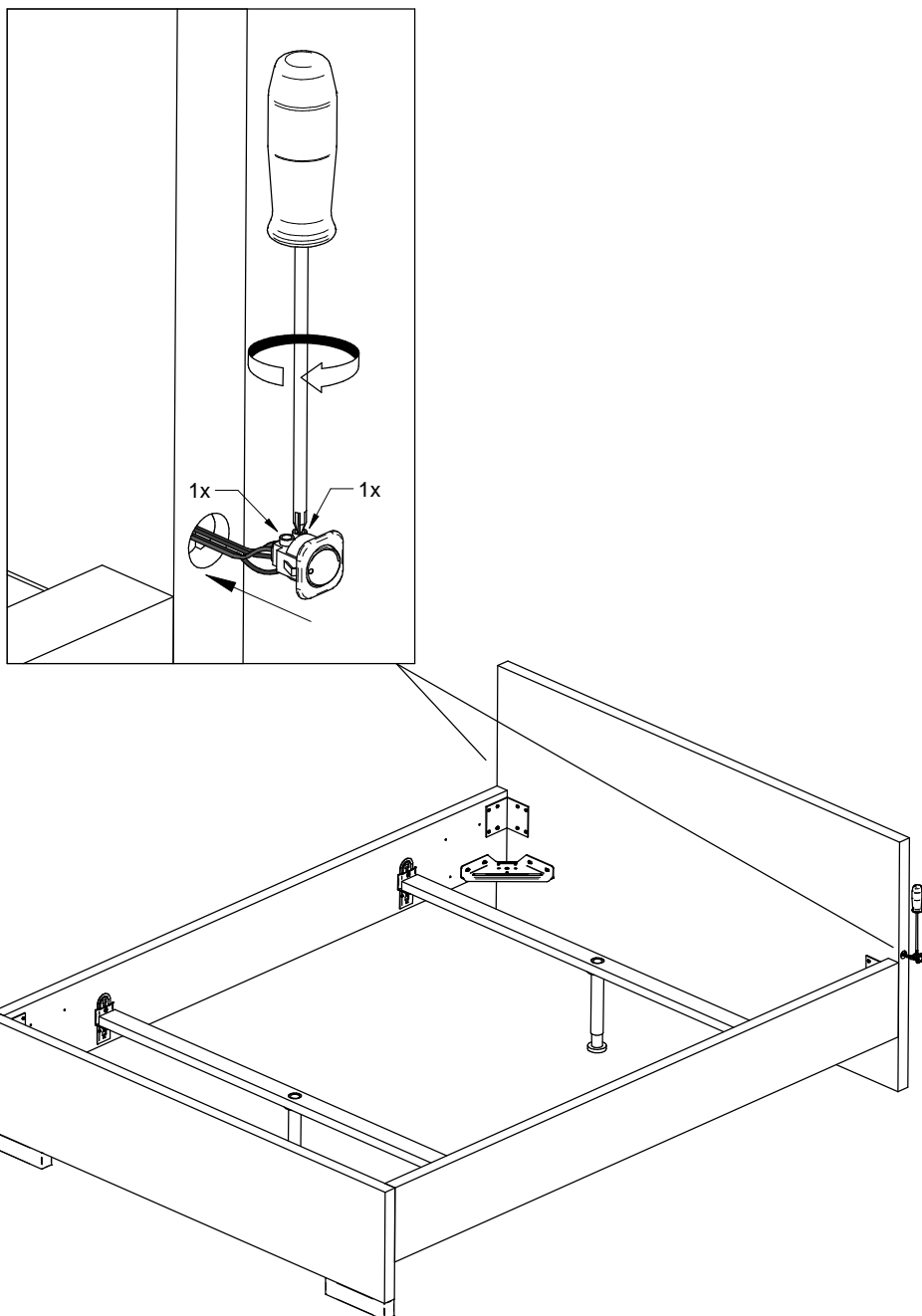
5



6



7



8

