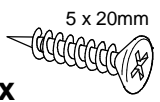
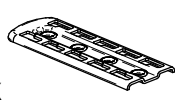
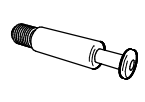
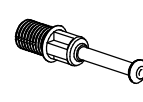
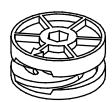
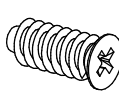
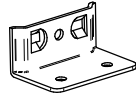
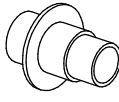
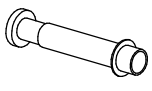

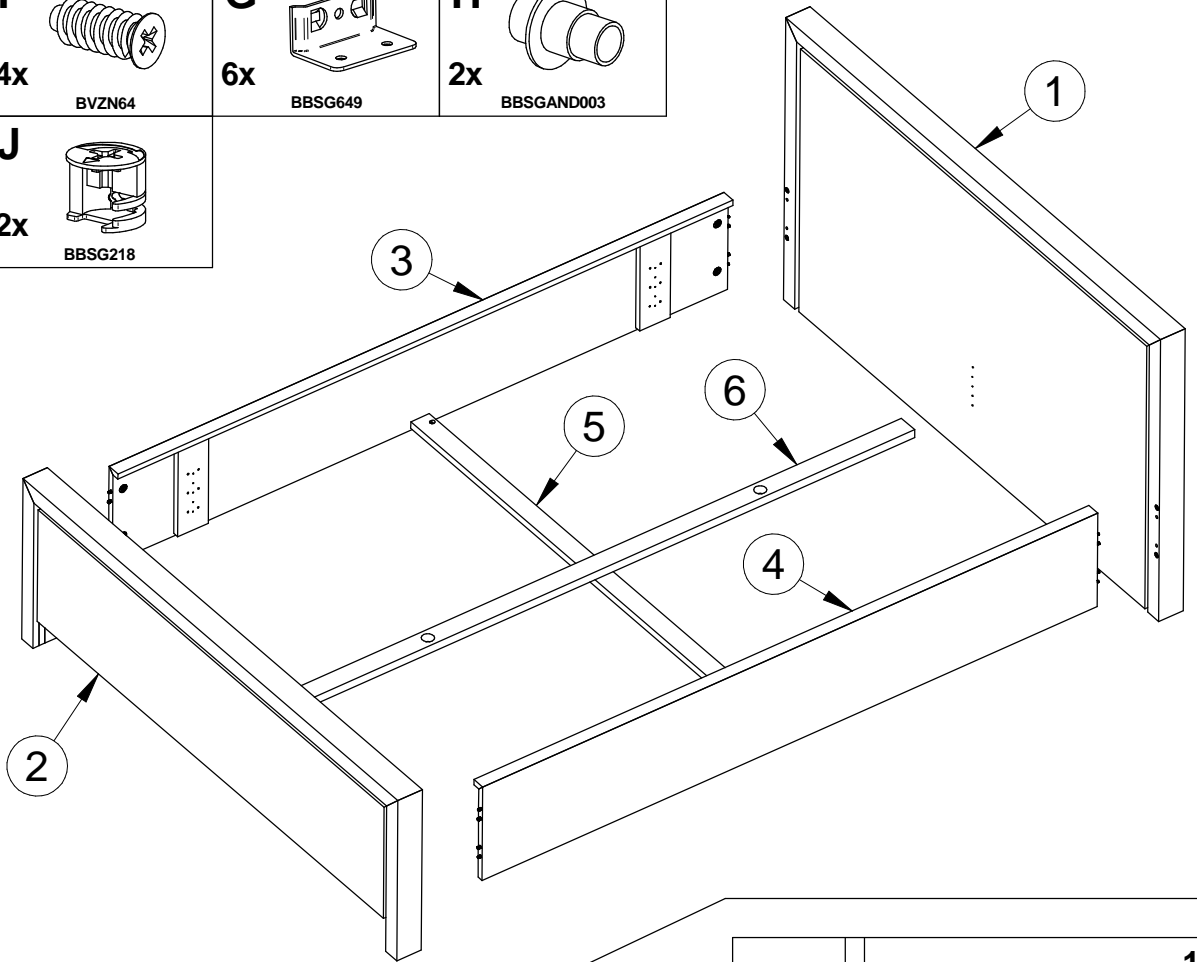
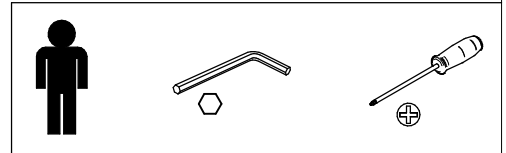
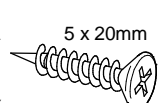
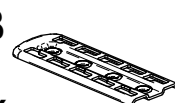
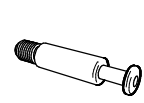
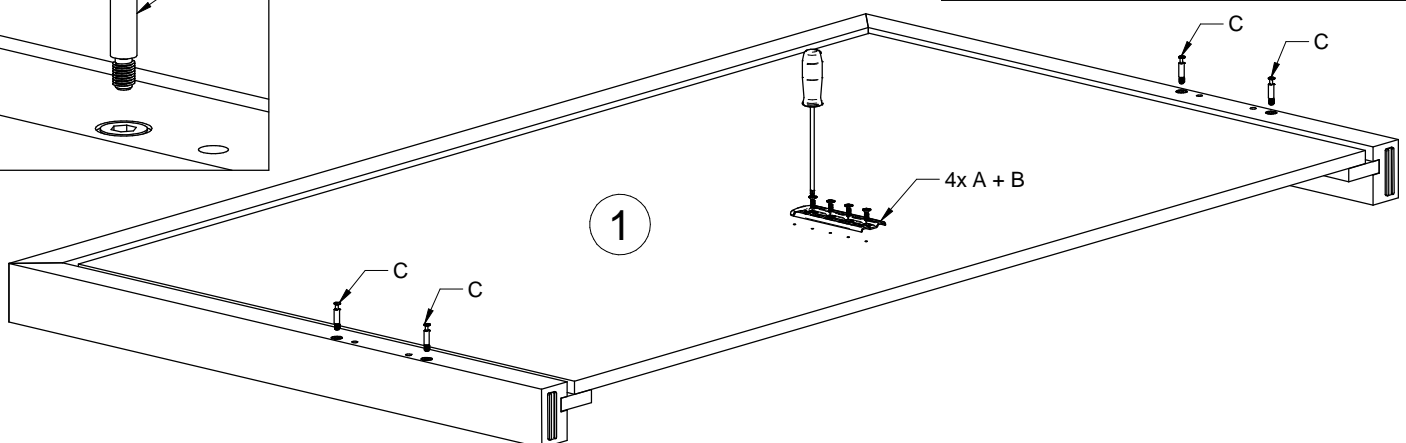
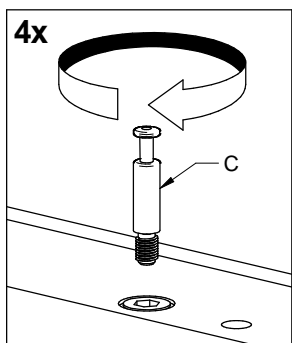
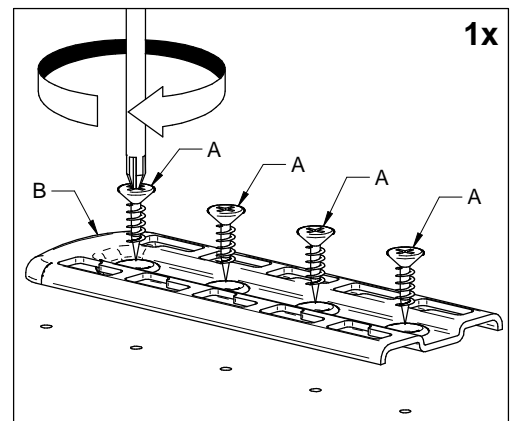


A  5 x 20mm 24x	B  6x BBSG648	C  8x BBSG670	D  2x BBSG270
E  8x BBSG667	F  4x BVZN64	G  6x BBSG649	H  2x BBSGAND003
I  2x BBSGAND002	J  2x BBSG218		



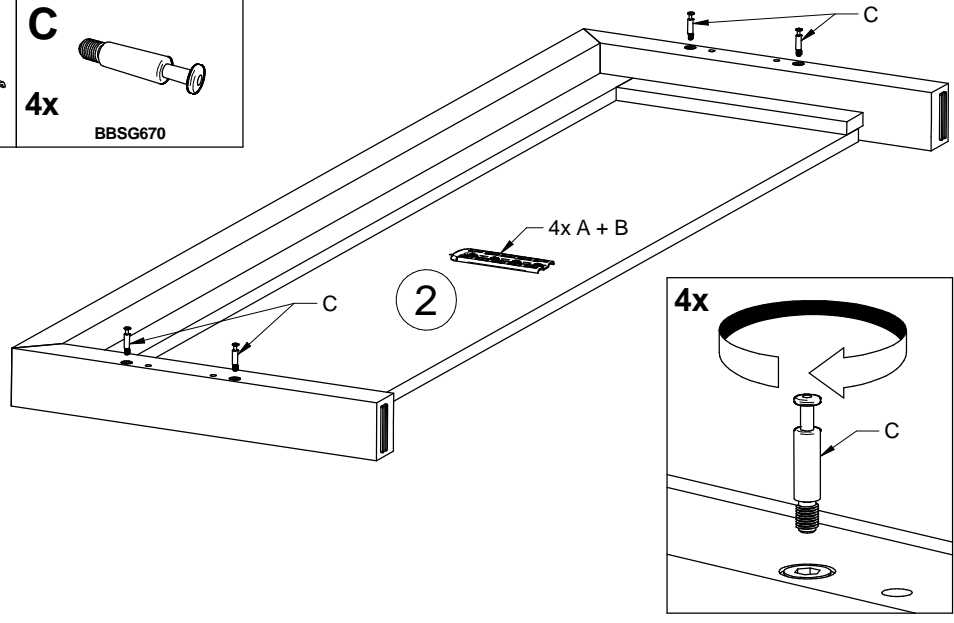
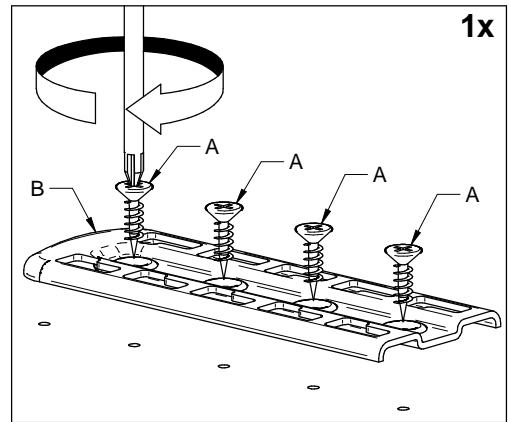
1	A  5 x 20mm 4x	B  1x BBSG648	C  4x BBSG670
----------	--	---	---



2
A
5 x 20mm
4x

B
1x
BBSG648

C
4x
BBSG670

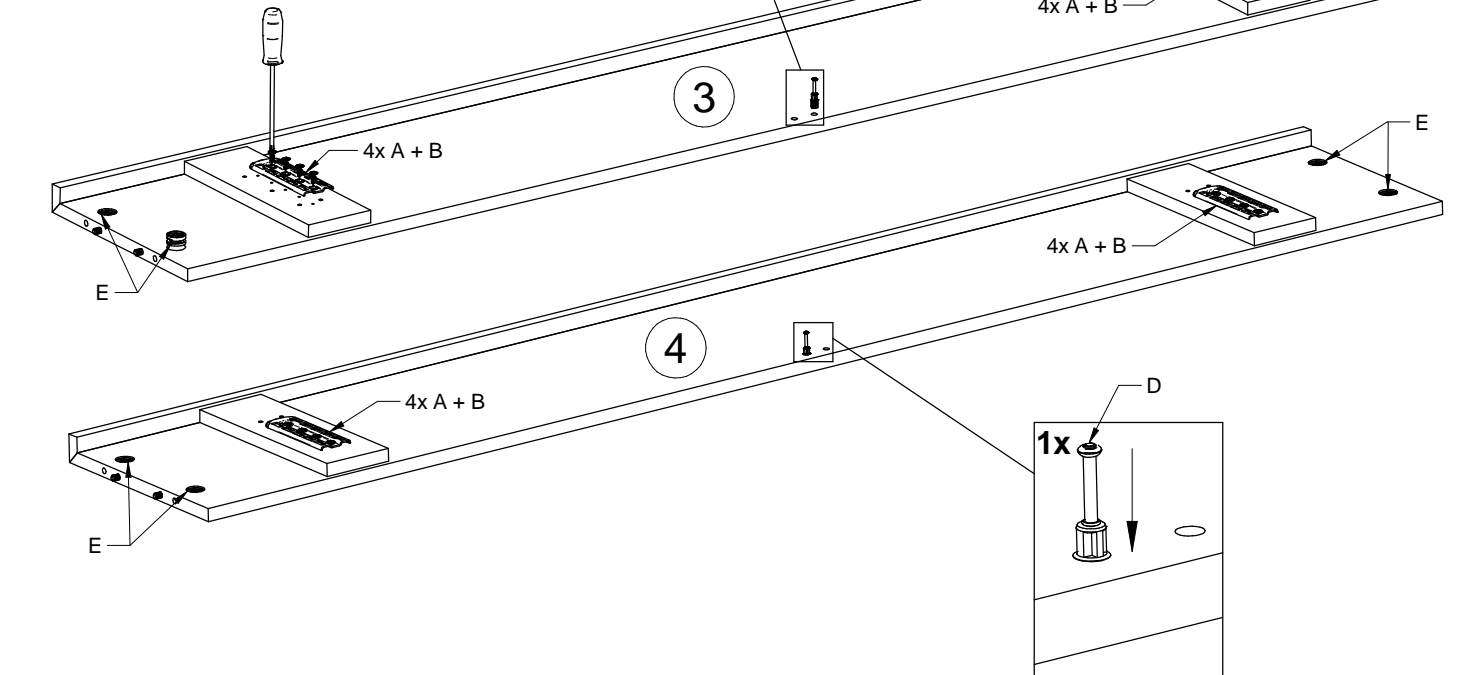
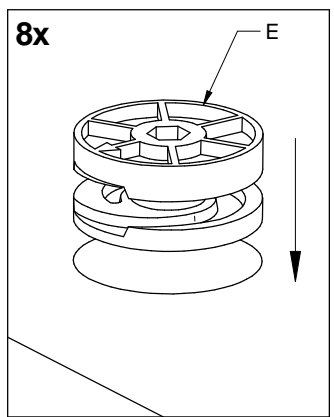
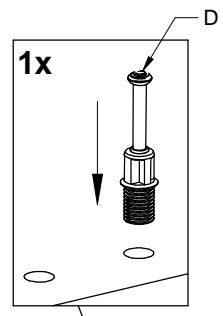
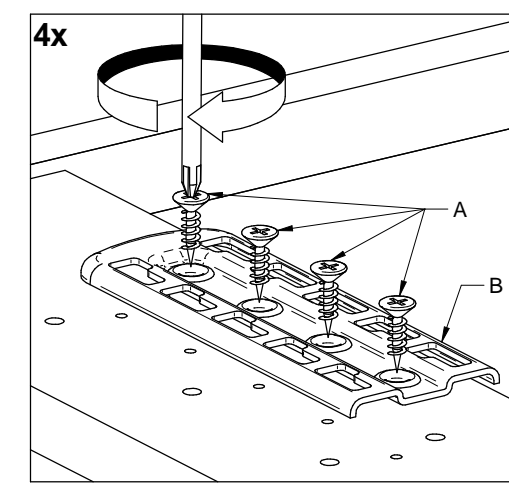


3
A
5 x 20mm
16x

B
4x
BBSG648

D
2x
BBSG270

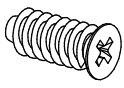
E
8x
BBSG667



4

F

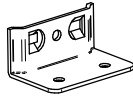
4x



BVZN64

G

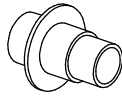
2x



BBSG649

H

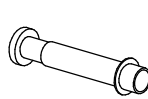
2x



BBSGAND003

I

2x



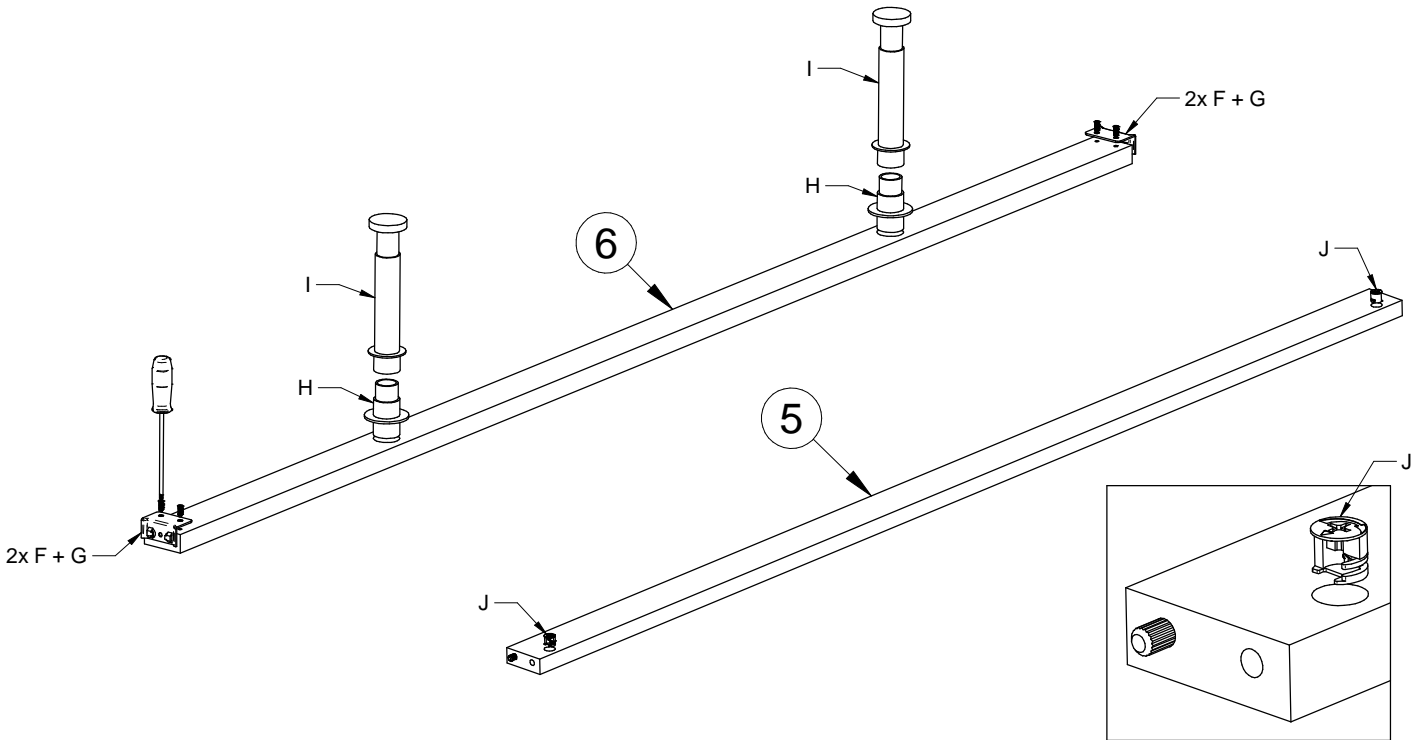
BBSGAND002

J

2x



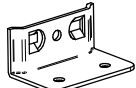
BBSG218



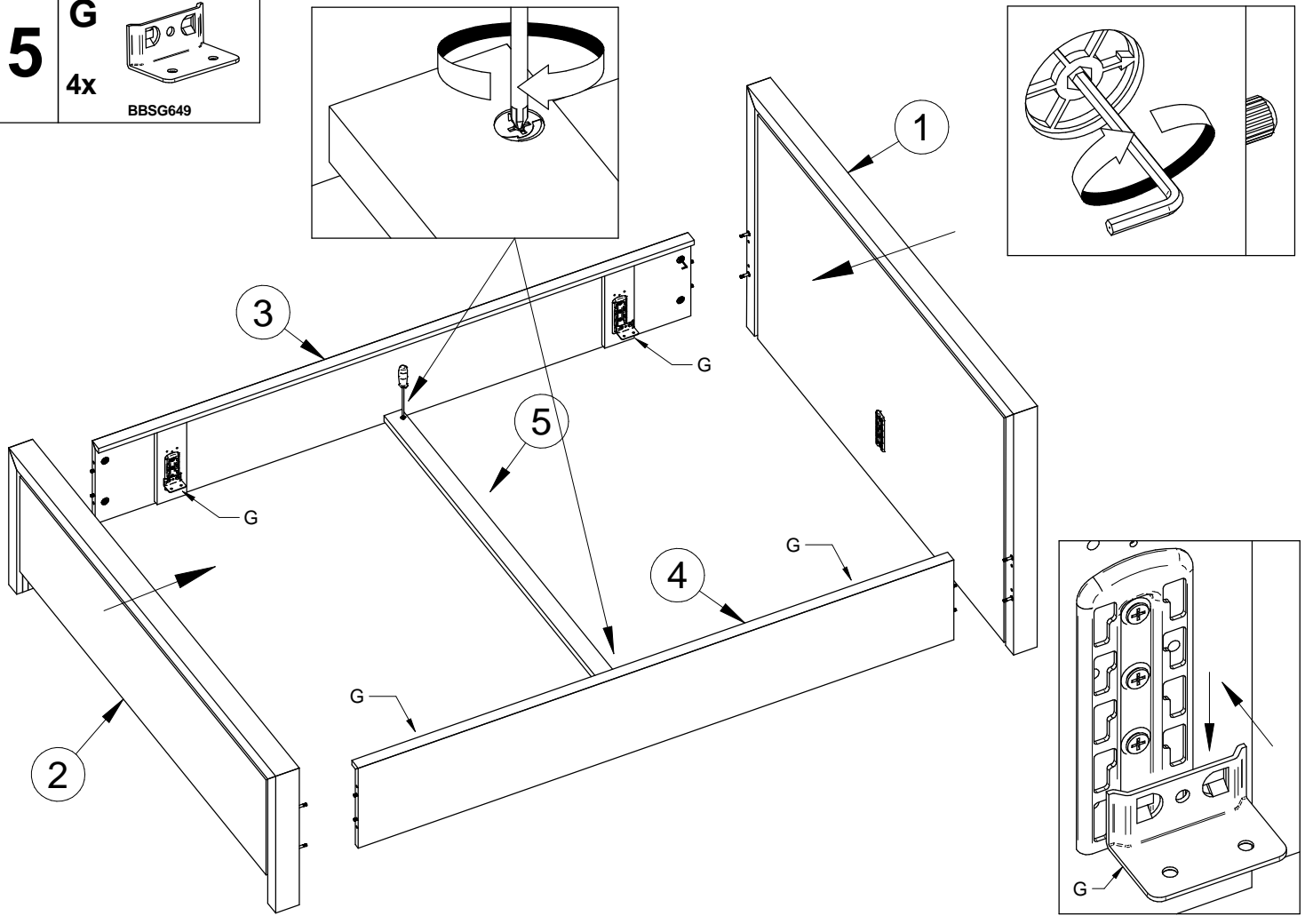
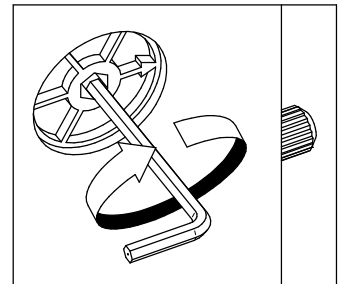
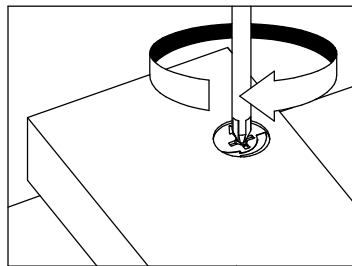
5

G

4x



BBSG649



6

