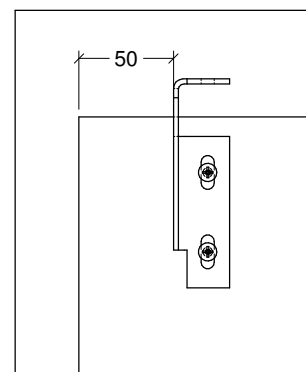
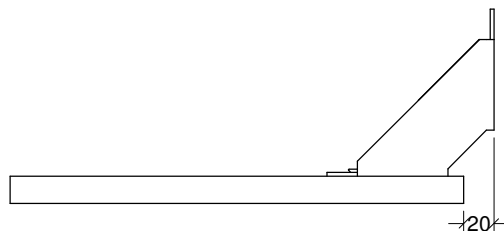
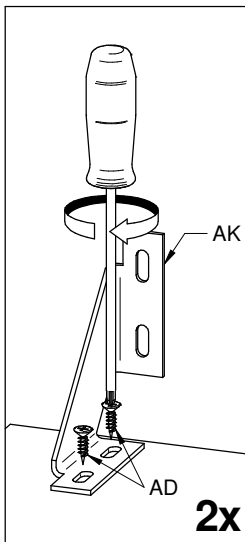
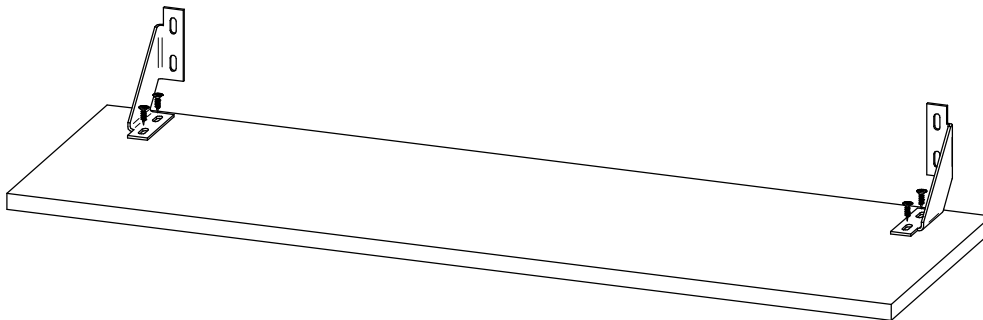
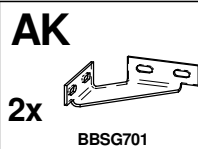
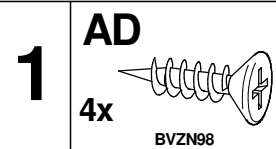
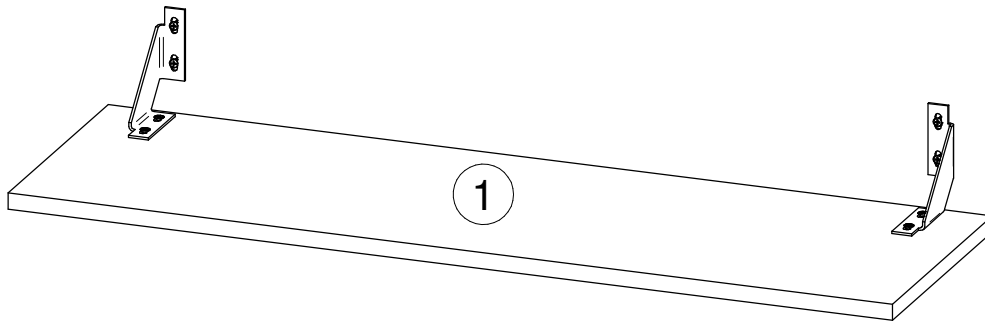


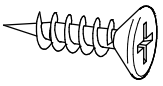
| | Art. Nr. | Aantal |
|---|-----------|--------|
| 1 | OSCBRE490 | 1x |



2

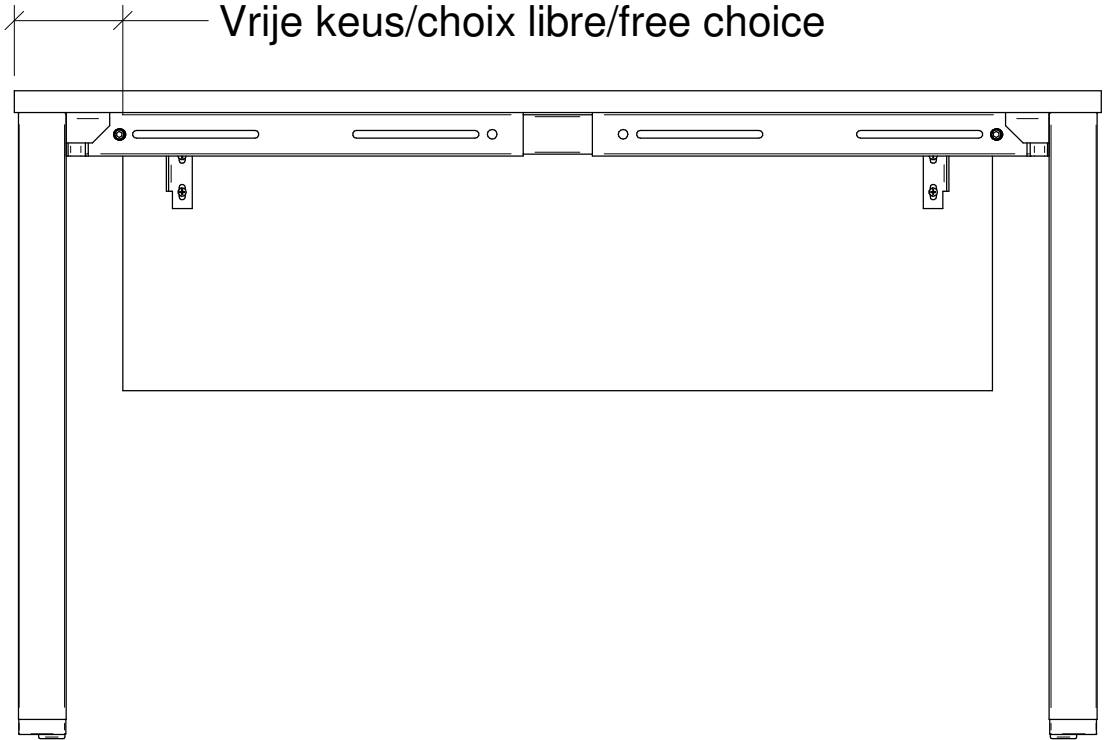
AD

4x

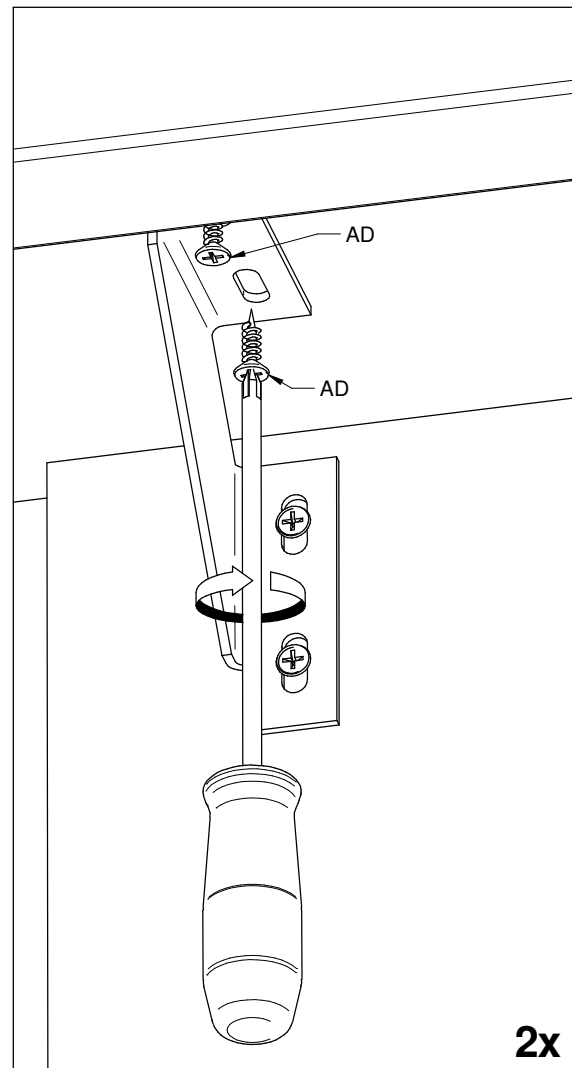
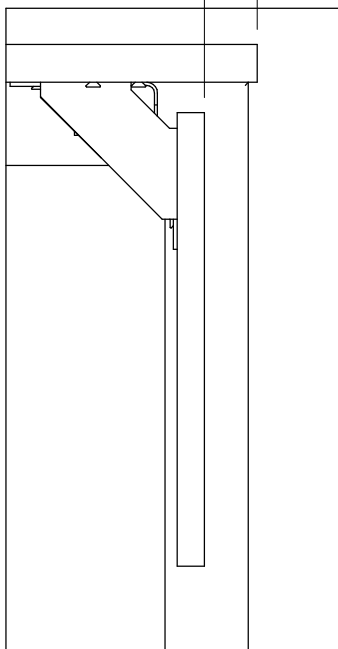


BVZN98

Vrije keus/choix libre/free choice



Max. 35



2x