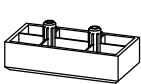

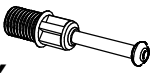
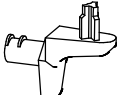
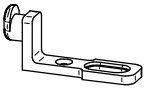
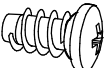
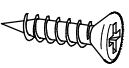
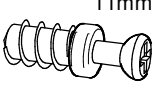
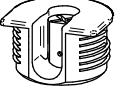
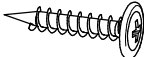




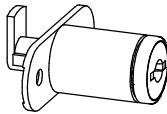
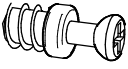
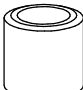

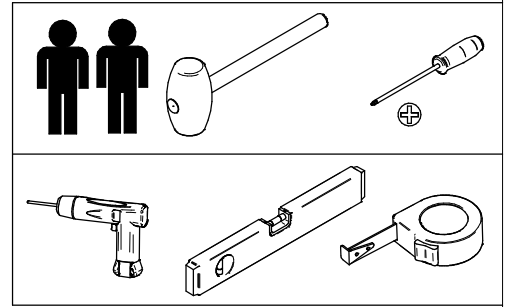
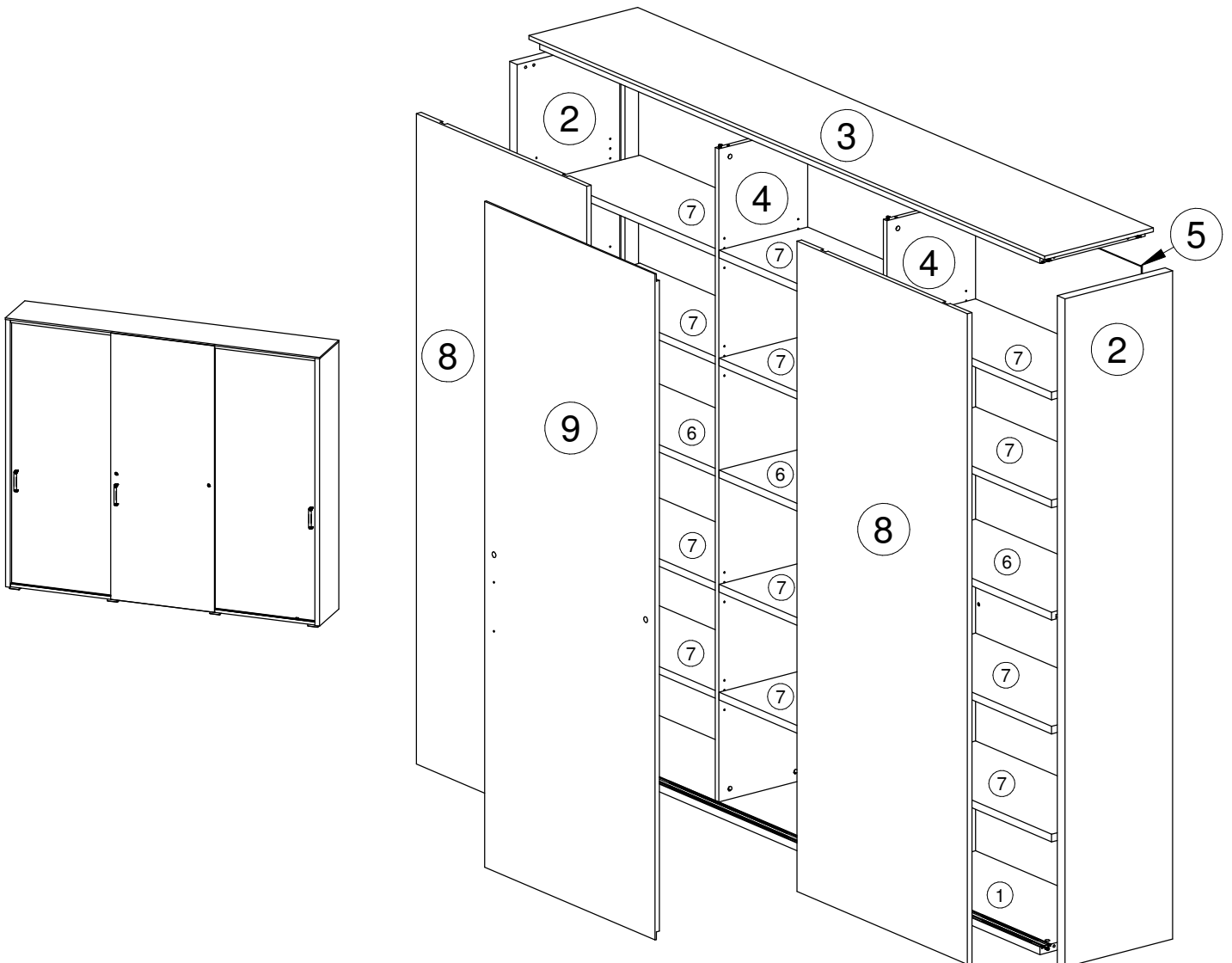
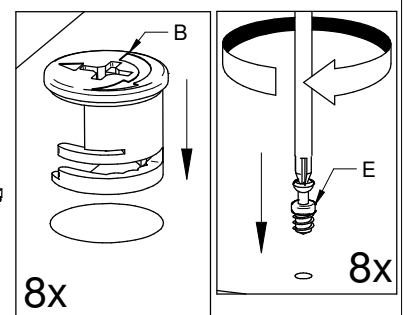
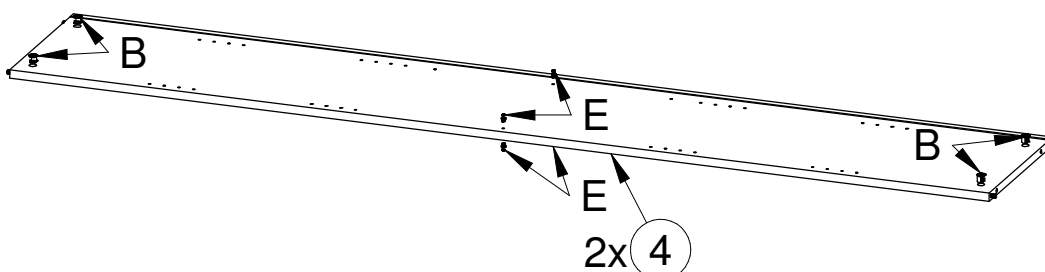
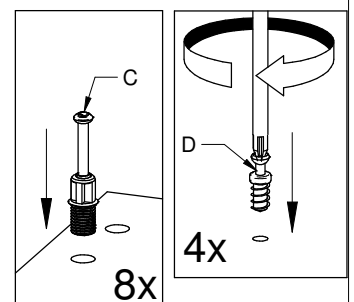
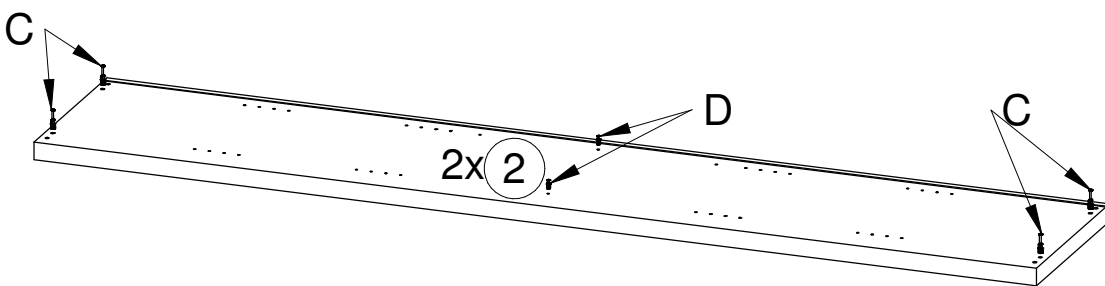
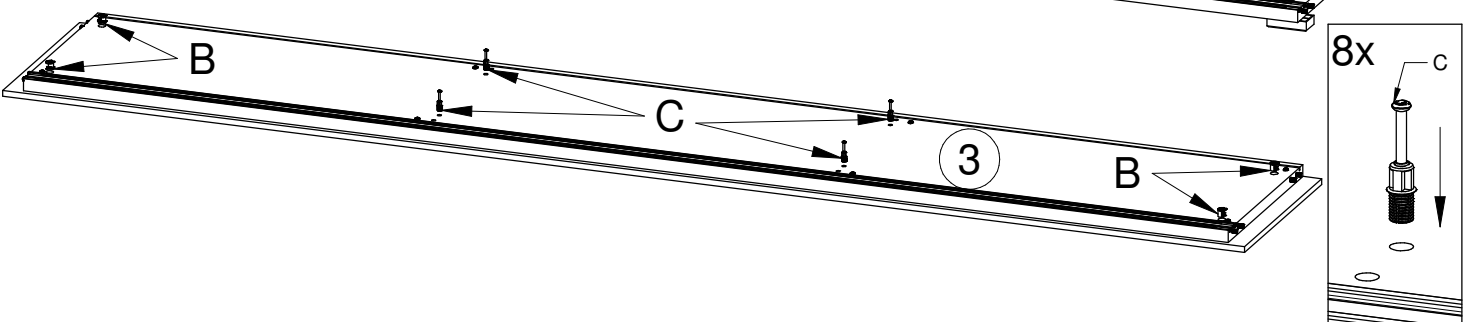
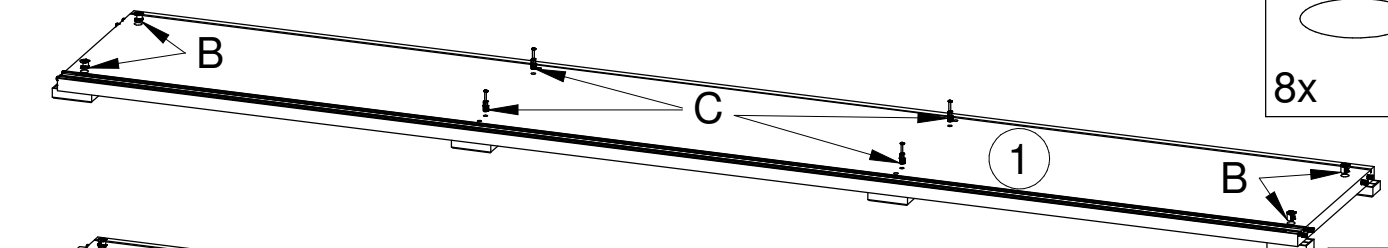
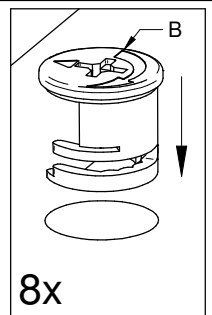
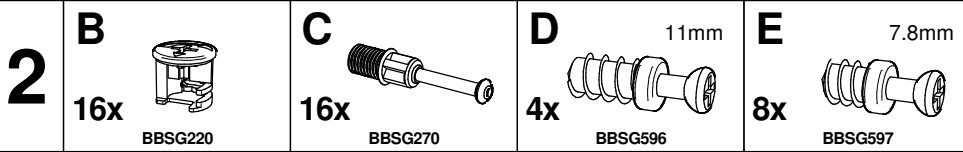
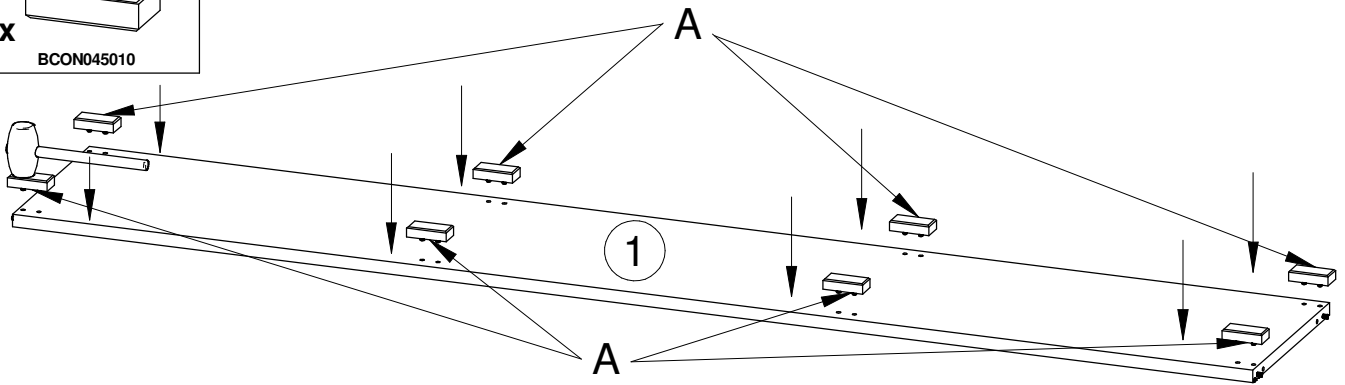
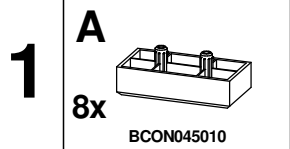


A 8x BCON045010 	B 16x BBSG220 	C 16x BBSG270 	E 48x BBSG303 
F 12x BBSG374 	G 12x 6.3x10.7 BBSG375 	H 20x 3.5x16 BVZN11 	M 4x 11mm BBSG596 
N 12x BBSG664 	O 3x BVZN45 	P 2x BBSG700 	T 2x BBSG699 
V 3x BTRGBRE001 	W 6x M4x23 BVZN47 	Z 2x BBSG695 BBSG688 	AA 8x 7.8mm BBSG597 
AB 2x BBSG714 	AC 2x 4x30 BVZN24 		

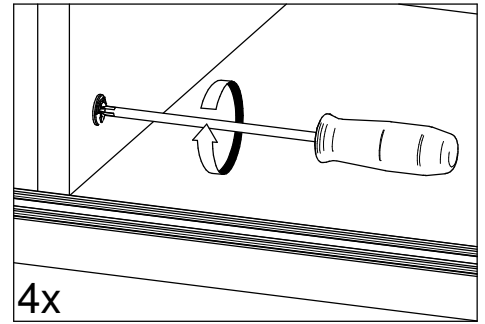
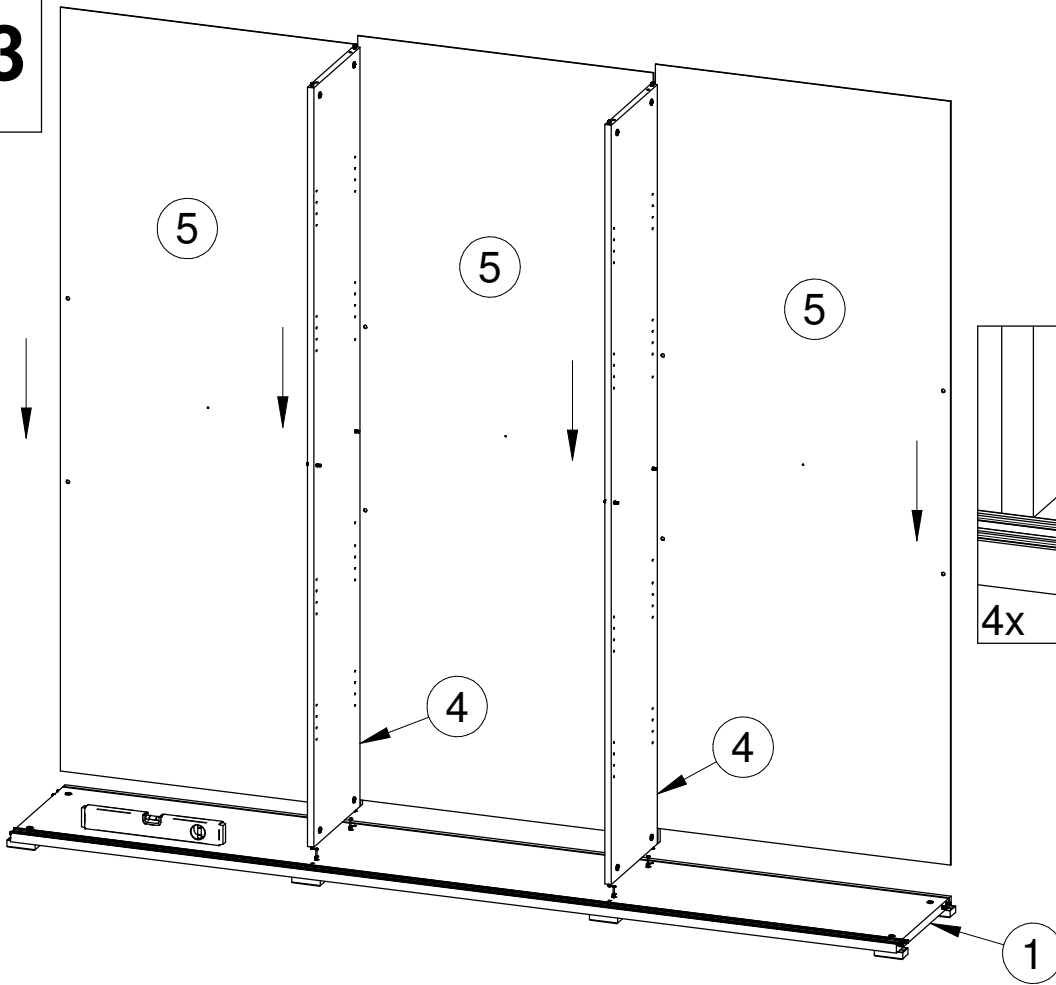


	Art. Nr.	Aantal
	ABRE504	x
1	MGRBRE503	1x
2	OZIBRE502	2x
3	MKOBRE503	1x
4	OBZBRE502	2x
5	ORUBRE544	3x
6	OLPBRE502V	3x
7	OLPBRE552	12x
8	ODRBRE502A	2x
9	ODRBRE504V	1x





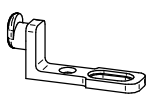
3



4

F

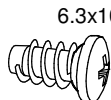
8x



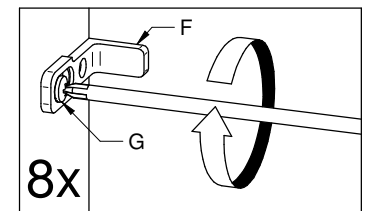
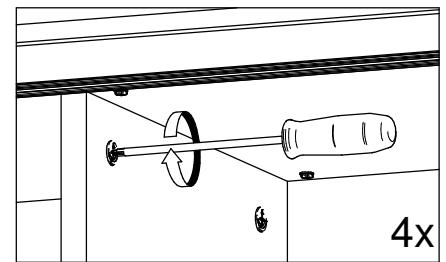
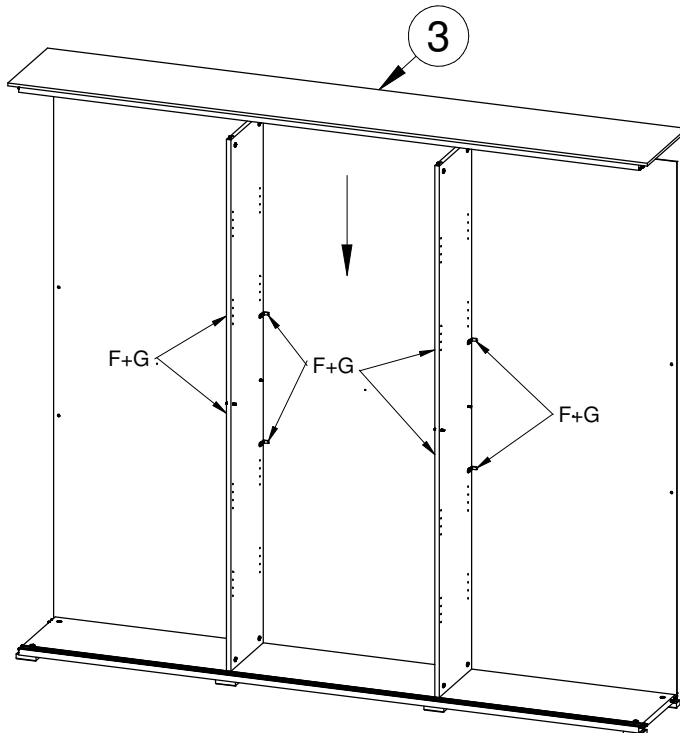
BBSG374

G

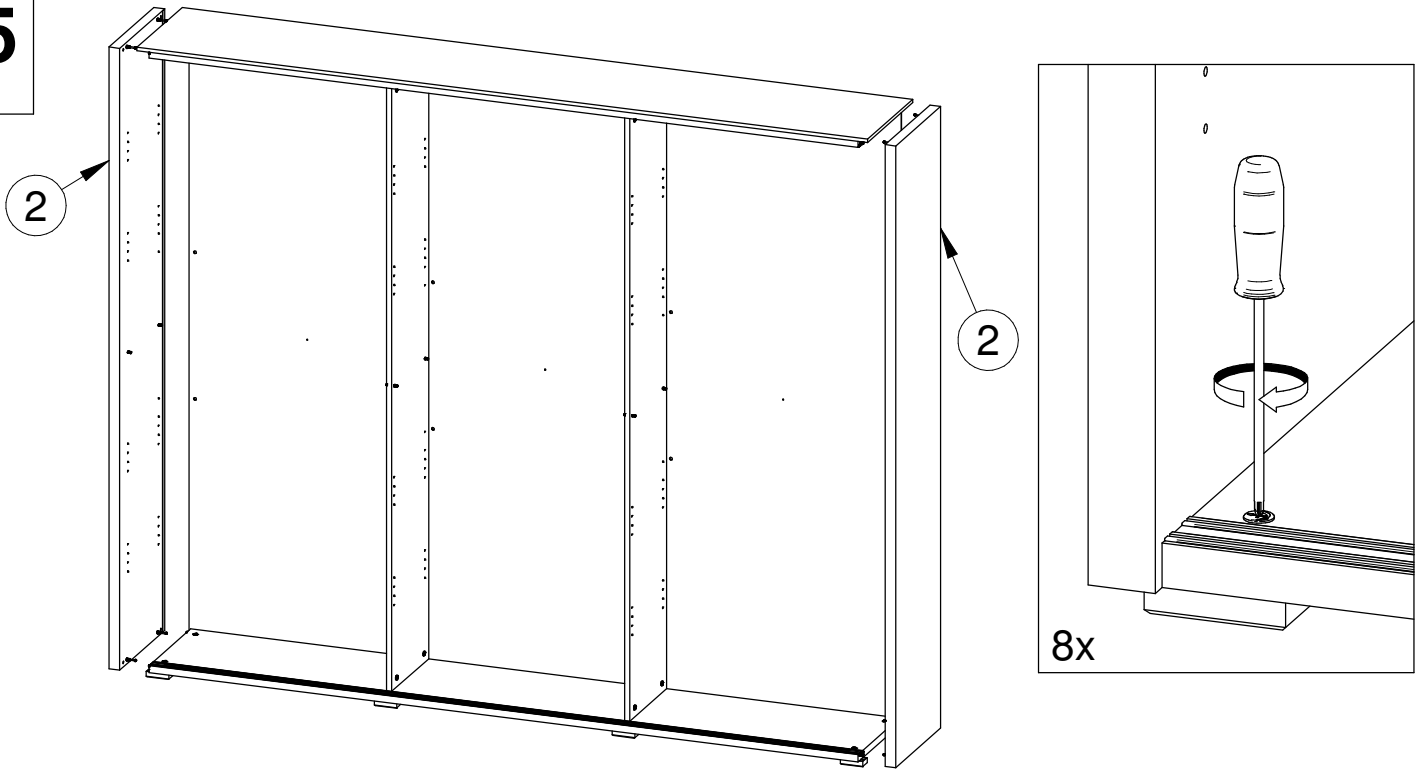
8x



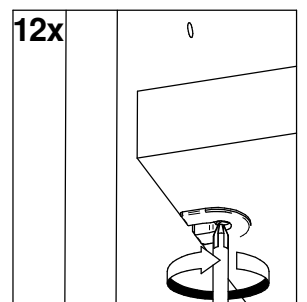
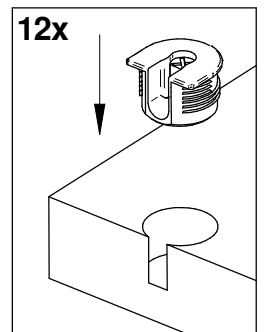
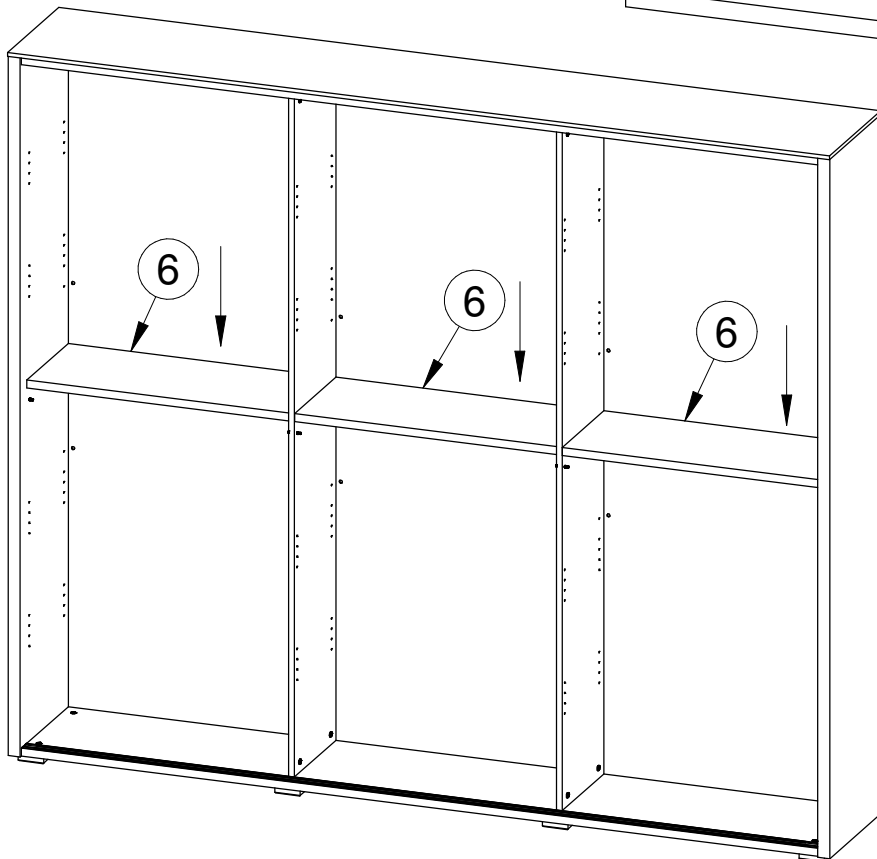
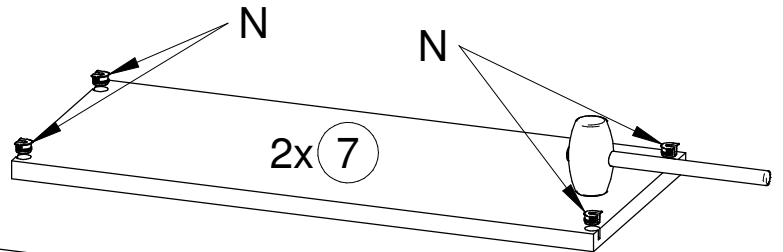
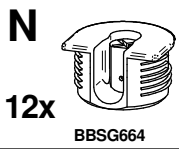
BBSG375

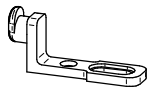
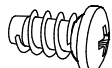
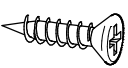
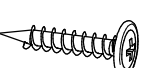


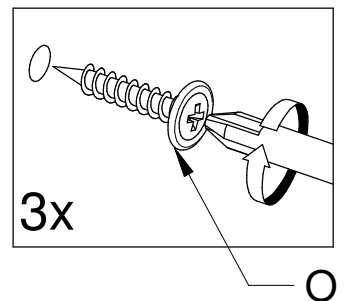
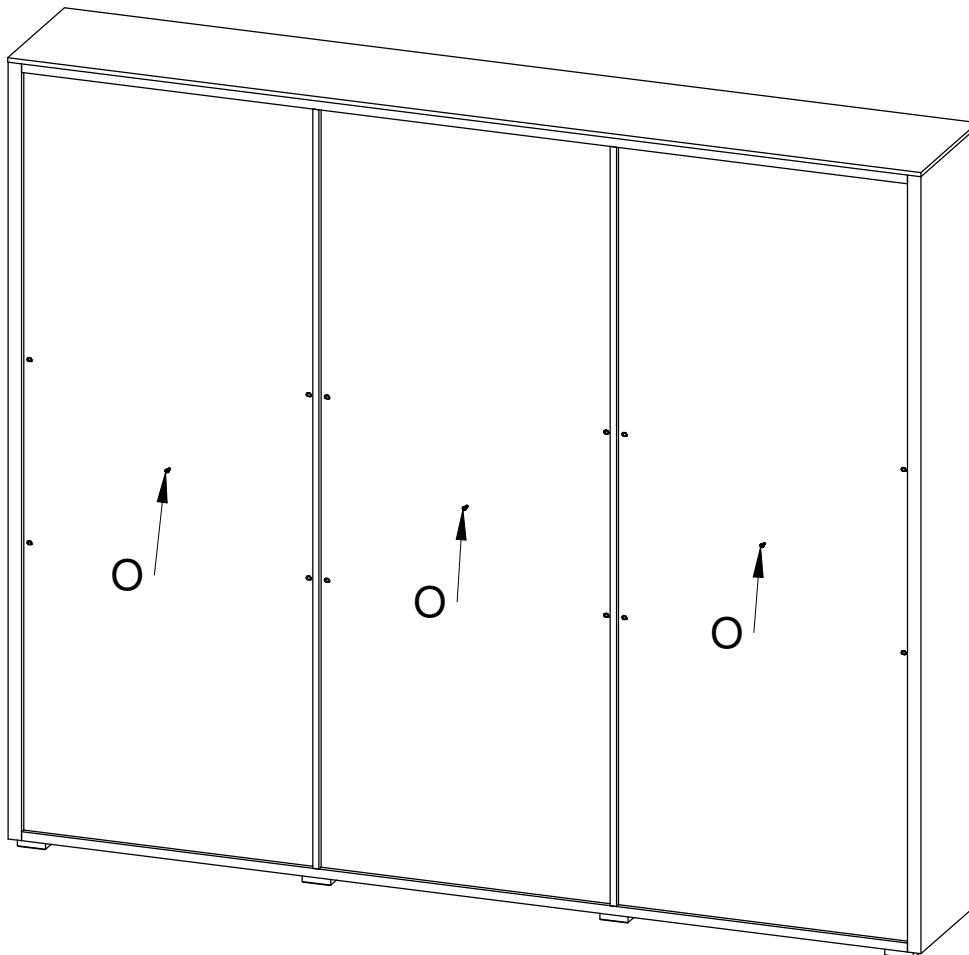
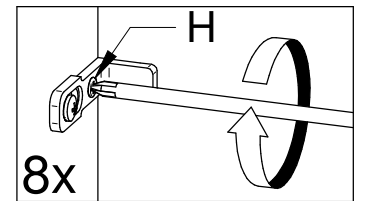
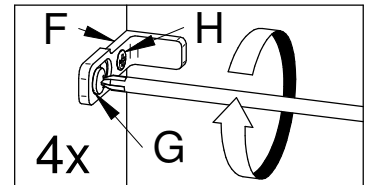
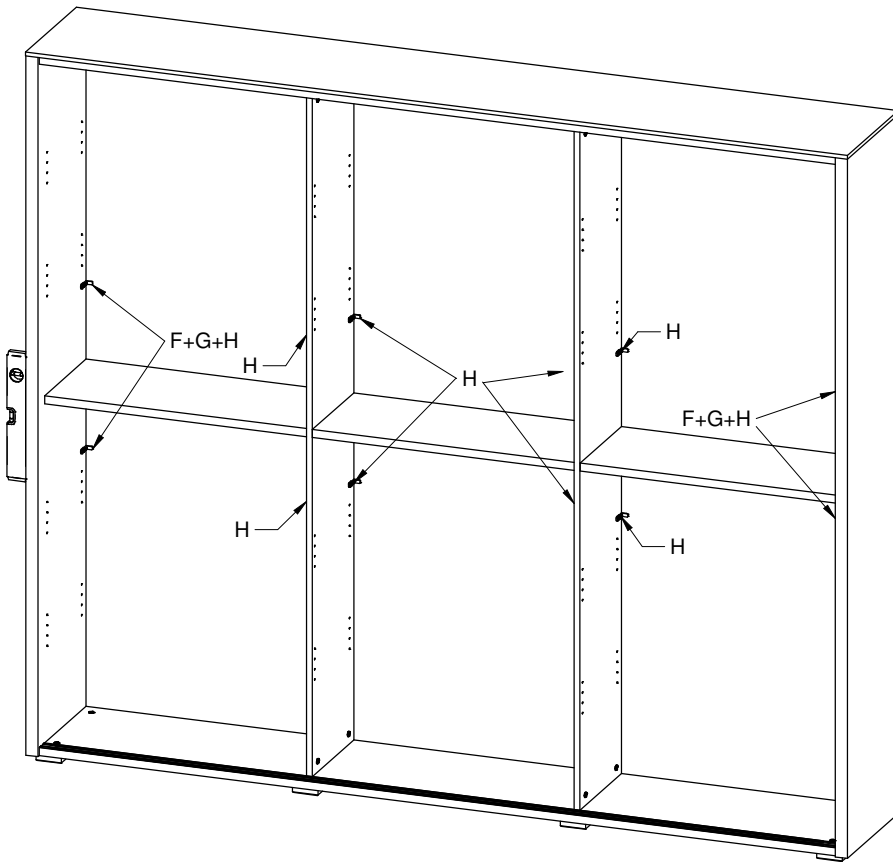
5



6



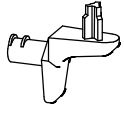
7	F 4x  BBSG374	G 4x  6.3x10.7 BBSG375	H 12x  3.5x16 BVZN11	O 3x  BVZN45
----------	----------------------------------------------------------------------------------------------------------------	----------------------------------------------------------------------------------------------------------------------------	--------------------------------------------------------------------------------------------------------------------------	----------------------------------------------------------------------------------------------------------------



8

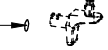
E

48x

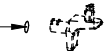


BBSG303

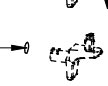
OF / OU / OR



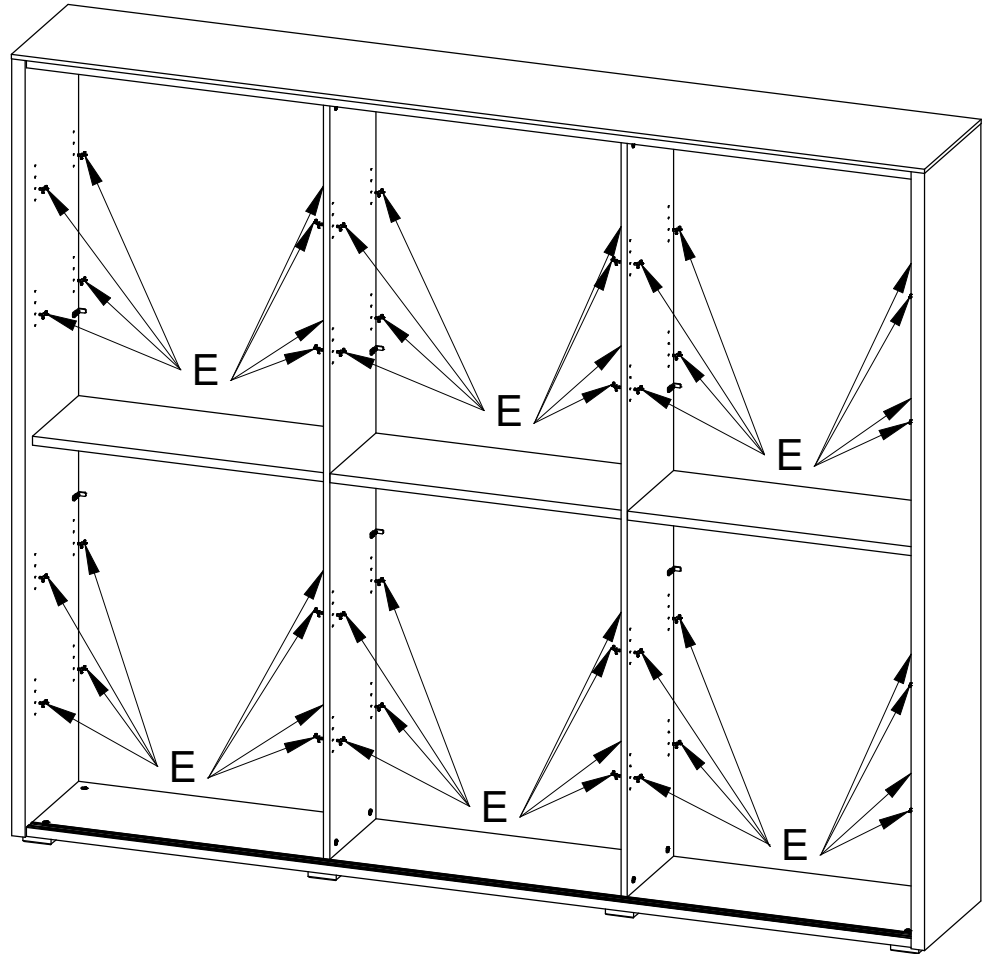
OF / OU / OR



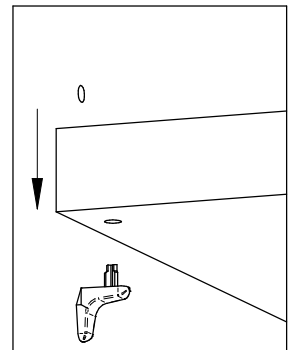
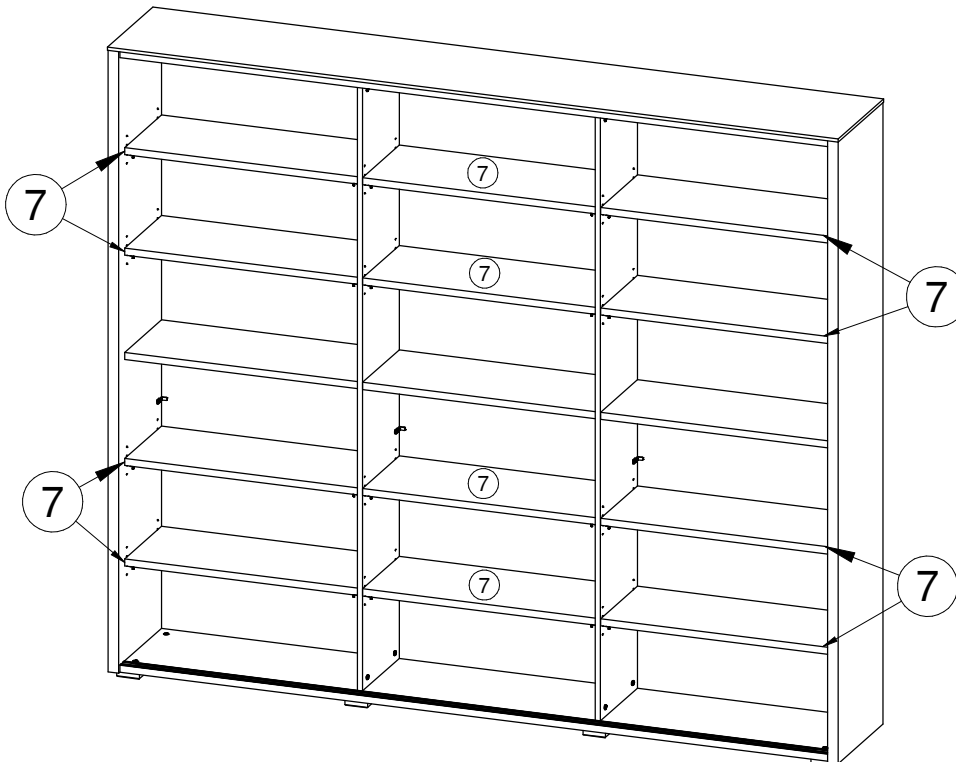
OF / OU / OR

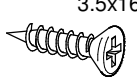

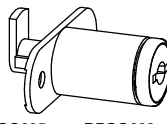
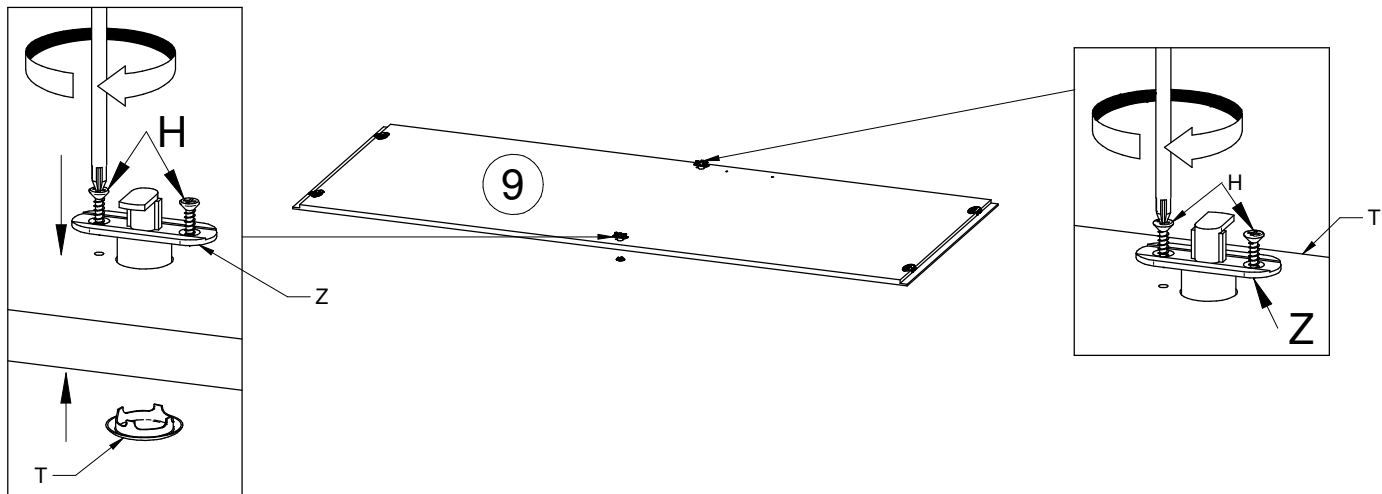


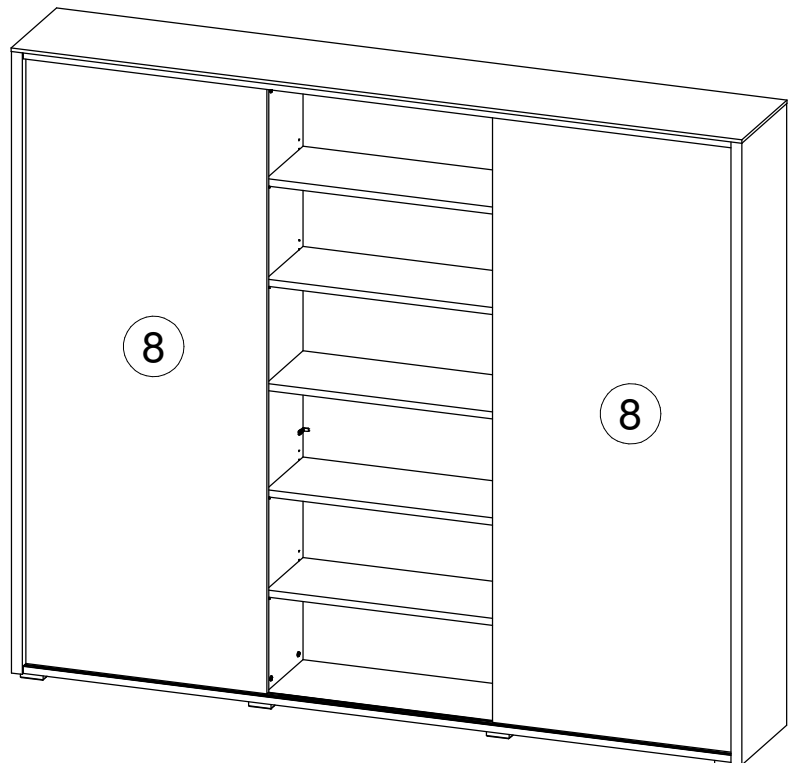
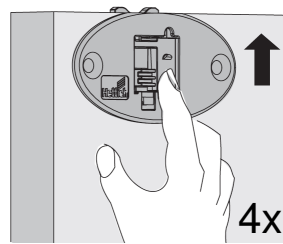
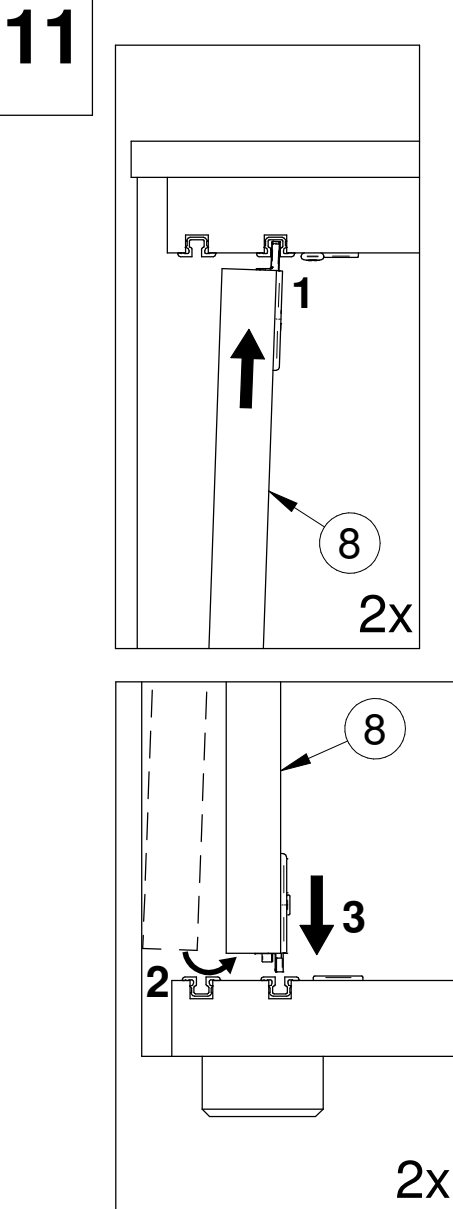
E



9



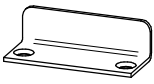
10	H 4x	3.5x16  BVZN11	T 2x	 BBSG699	Z 2x	 BBSG695 BBSG688
						



12

P

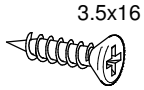
2x



BBSG700

H

4x



BVZN11

AB

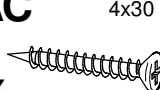
2x



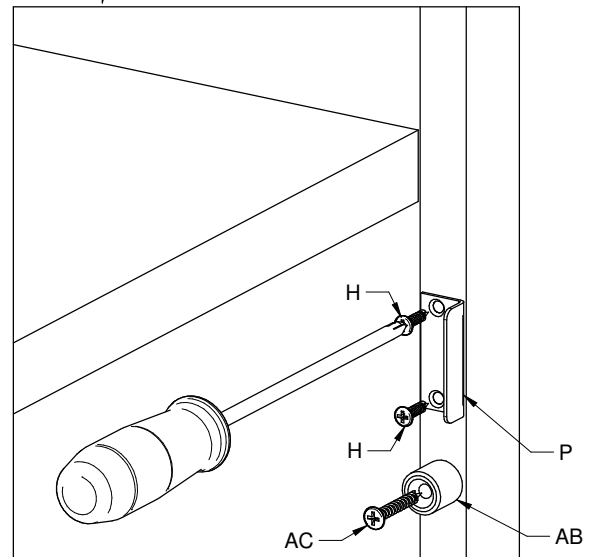
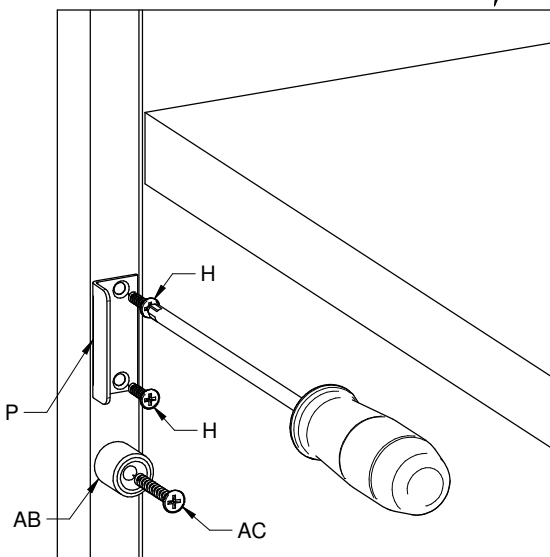
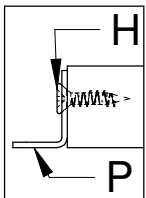
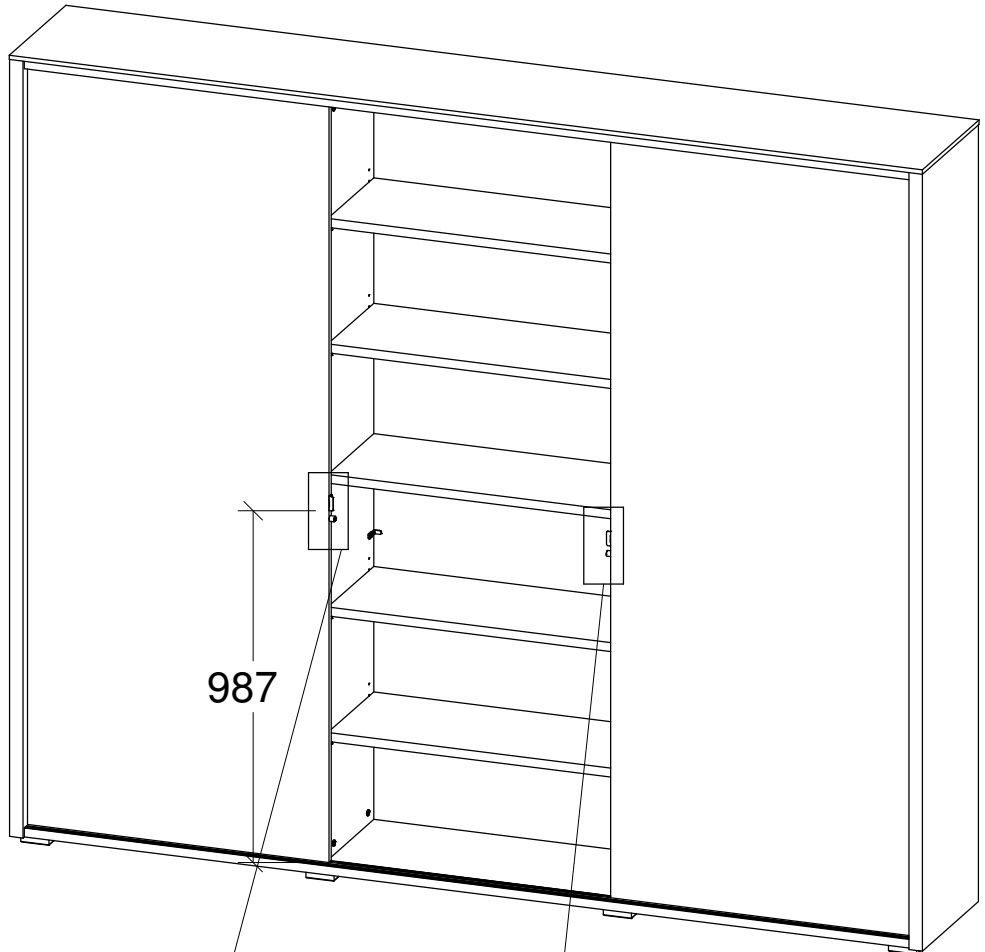
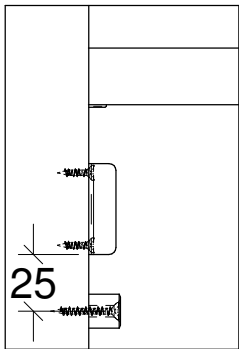
BBSG714

AC

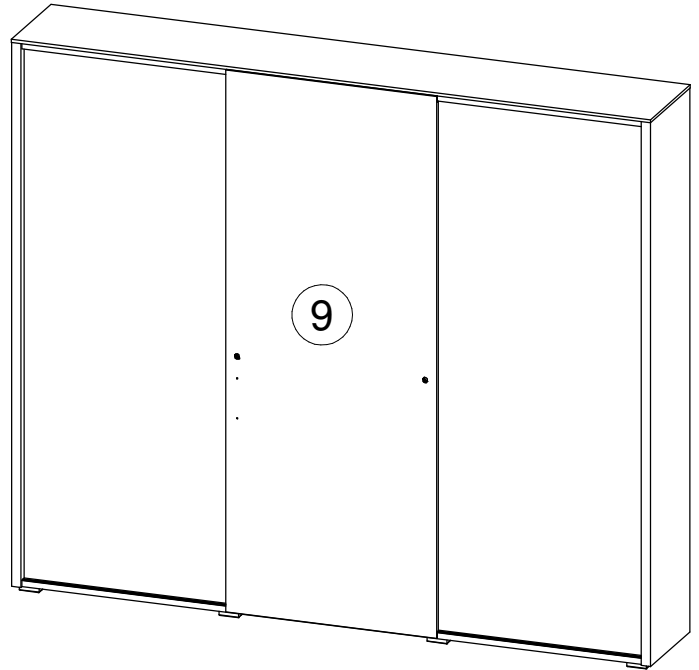
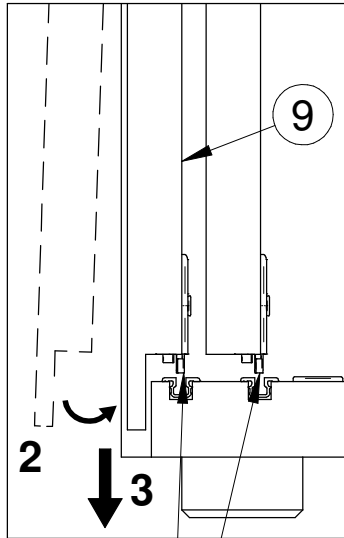
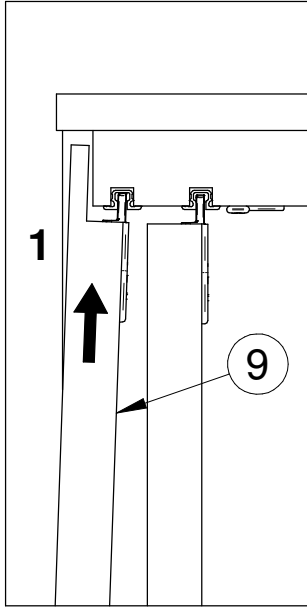
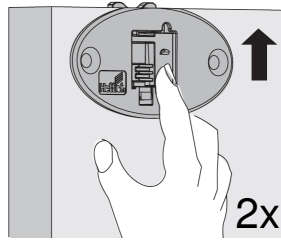
2x



BVZN24

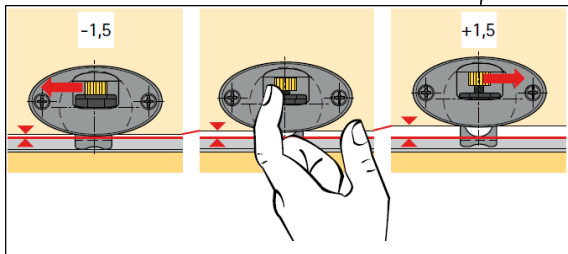


13



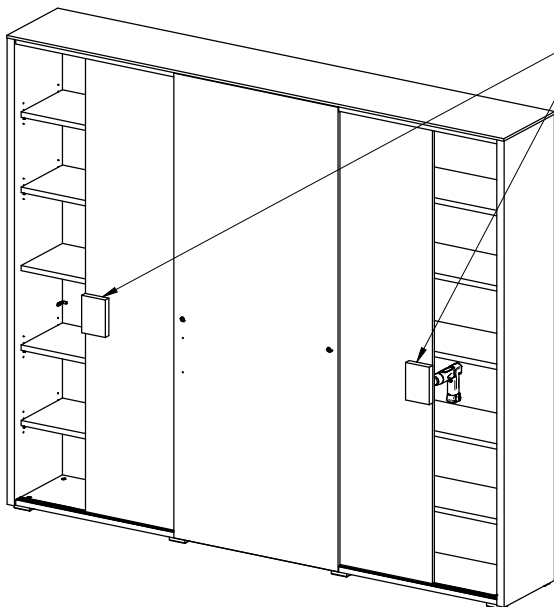
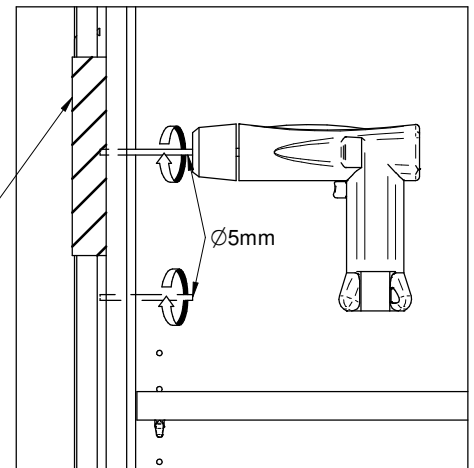
14



Hoogteverstelling deur
Course vertical de porte
Height adjustment door



15

Tegenhout gebruiken!!!
Utiliser contrebois!!!
Use counterwood!!!



16	V	W
	3x	6x
		
	BTRGBRE001	BVZN47 M4x23

