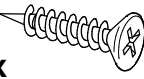
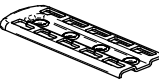
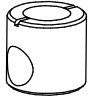

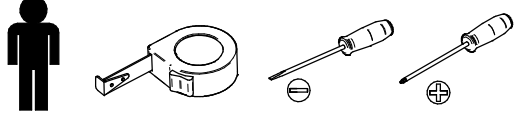

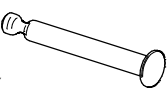
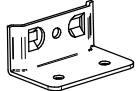
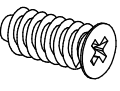
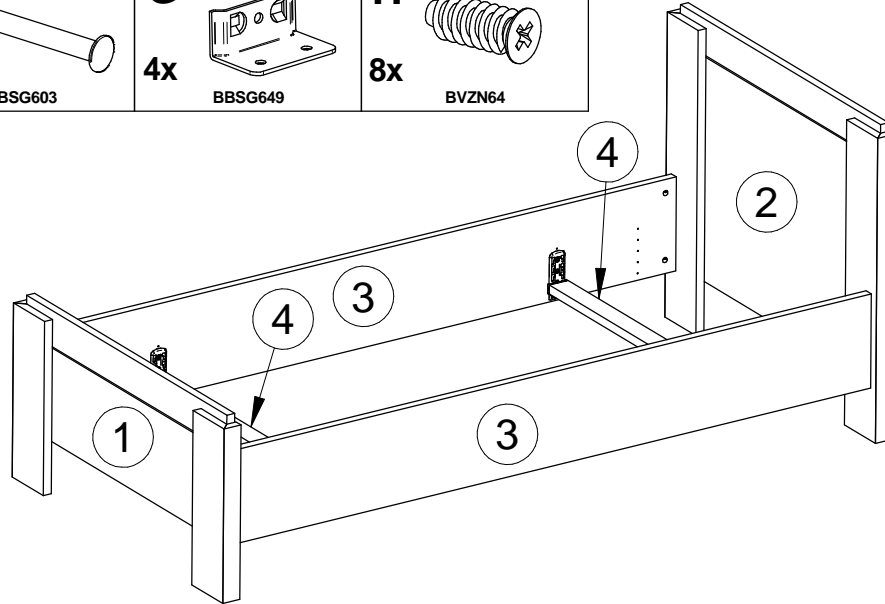
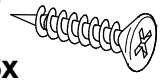
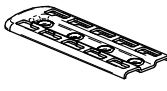


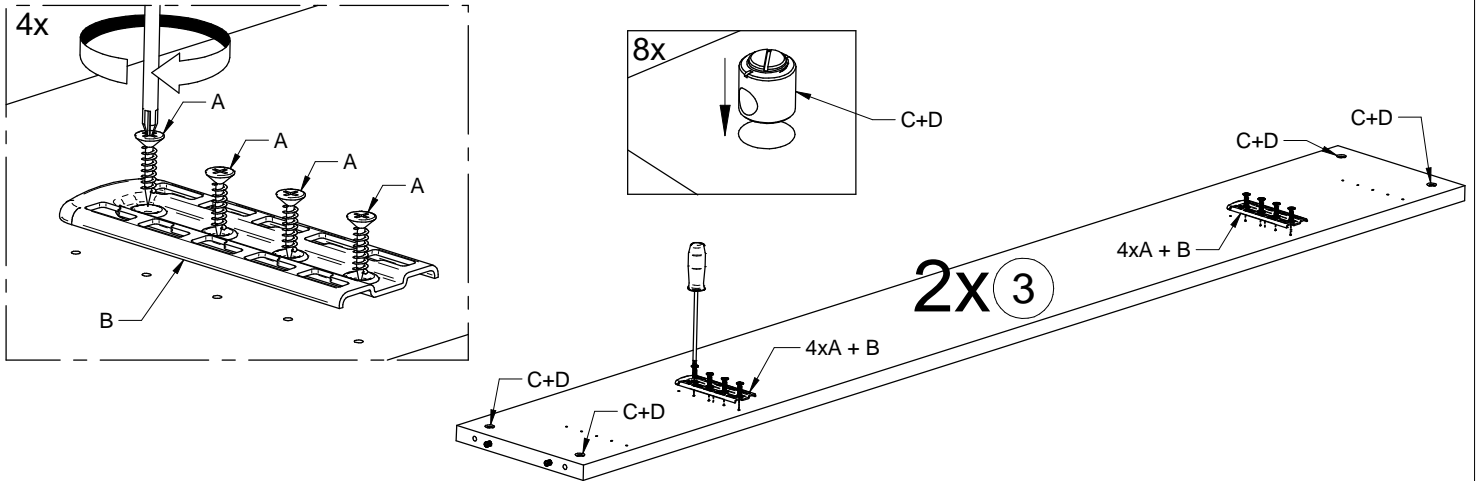



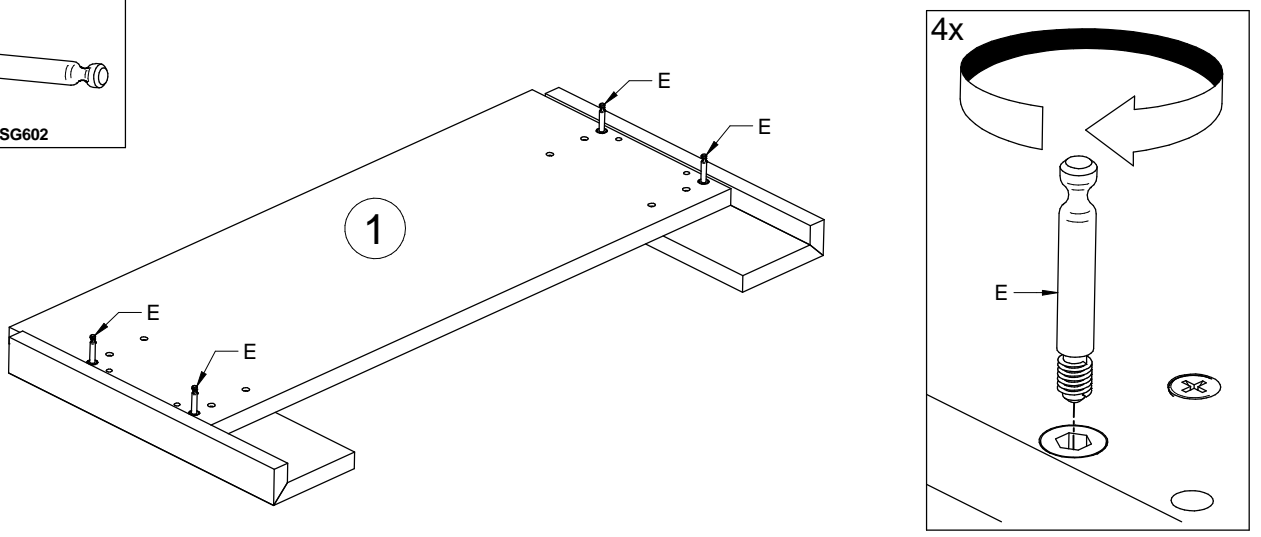
<p>A 16x BVZN43</p> 	<p>B 4x BBSG648</p> 	<p>C 8x BBSG600</p> 	<p>D 8x BBSG601</p> 	
<p>E 4x BBSG602</p> 	<p>F 4x BBSG603</p> 	<p>G 4x BBSG649</p> 	<p>H 8x BVZN64</p> 	



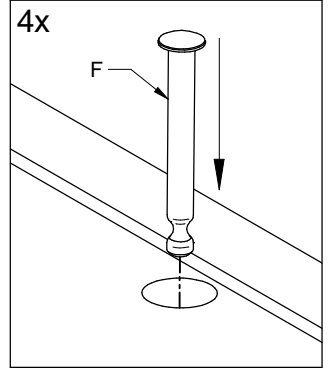
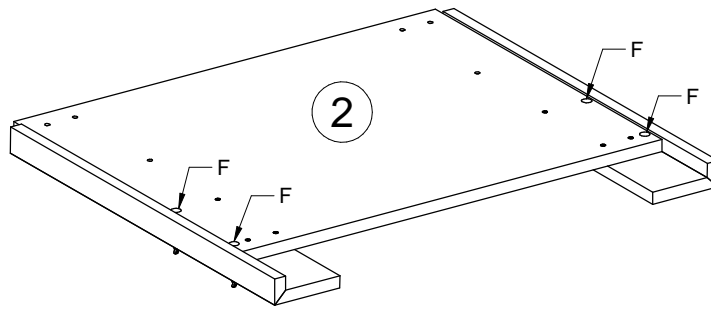
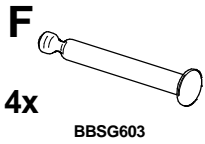
<p>1</p> <p>A 16x BVZN43</p> 	<p>B 4x BBSG648</p> 	<p>C 8x BBSG600</p> 	<p>D 8x BBSG601</p> 
--	--	--	--



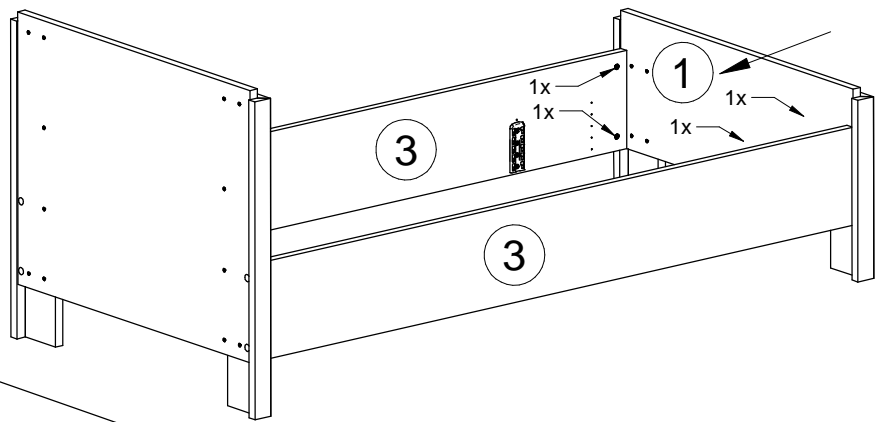
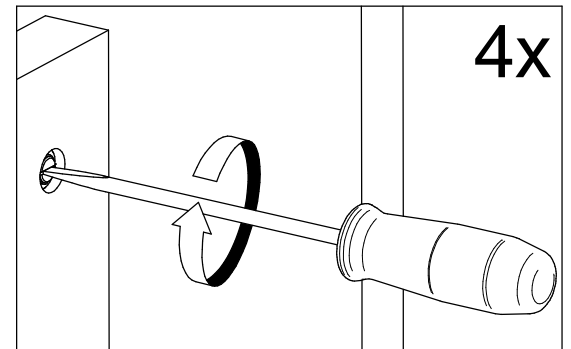
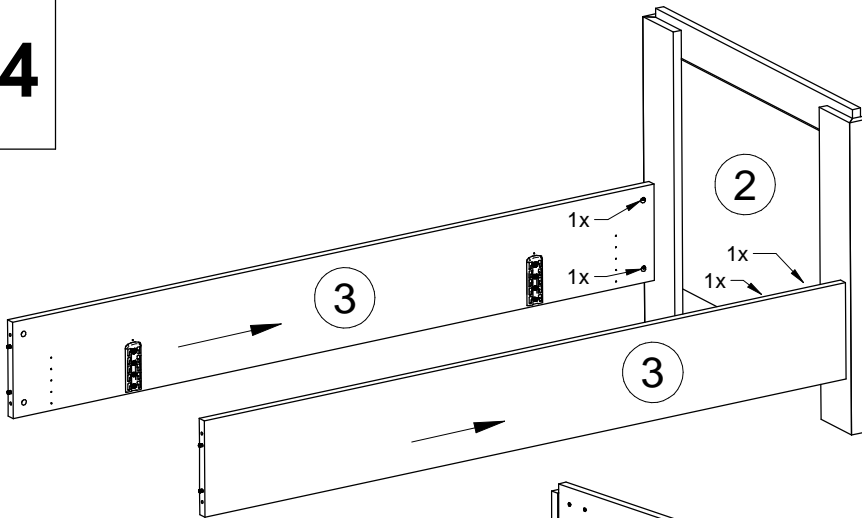
<p>2</p> <p>E 4x BBSG602</p> 
--



3



4



5

