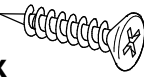
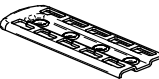
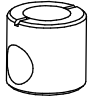

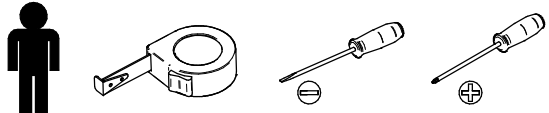

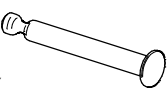
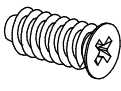
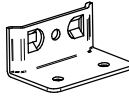
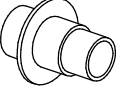
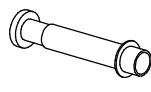
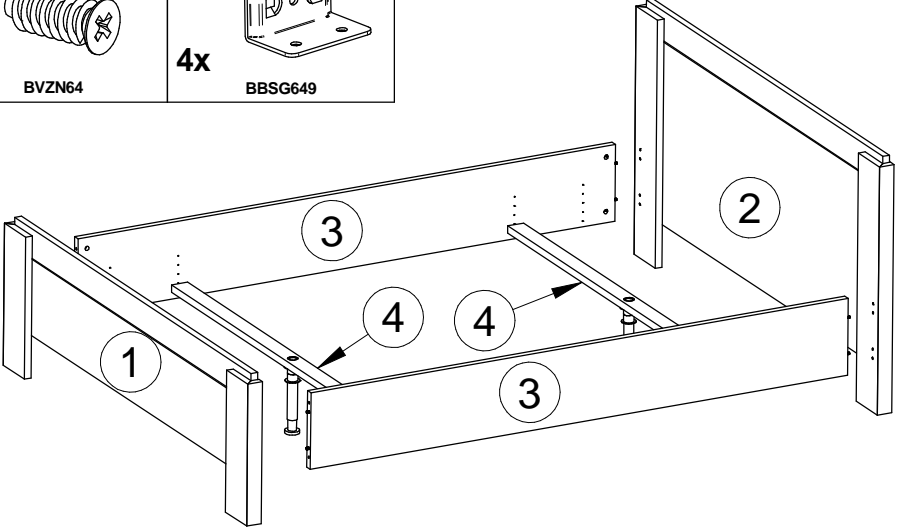
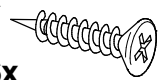



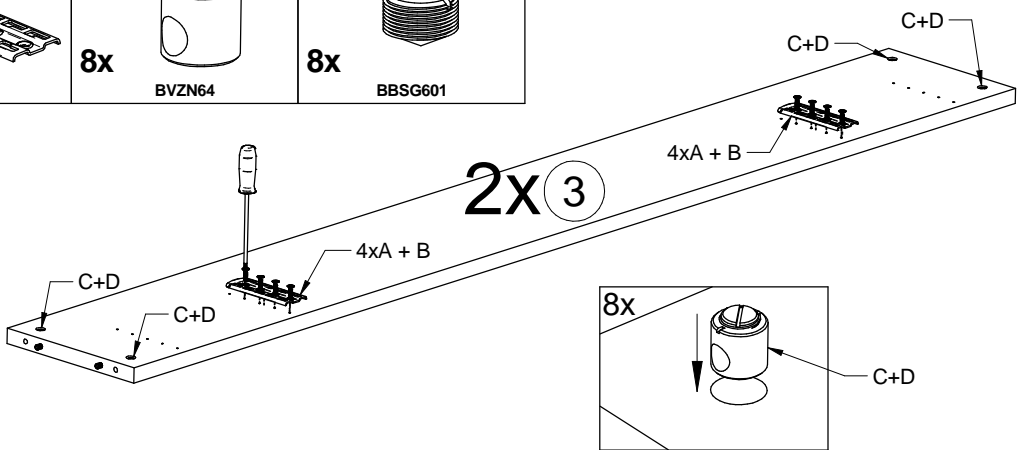


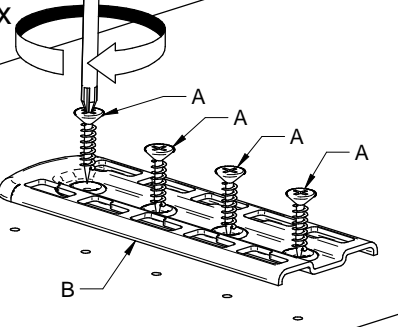
<p>A 16x BVZN43</p> 	<p>B 4x BBSG648</p> 	<p>C 8x BVZN64</p> 	<p>D 8x BBSG601</p> 	
<p>E 4x BBSG602</p> 	<p>F 4x BBSG603</p> 	<p>G 8x BVZN64</p> 	<p>H 4x BBSG649</p> 	
<p>I 2x BBSGAND003</p> 	<p>J 2x BBSGAND002</p> 			

1

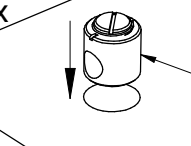
<p>A 16x BVZN43</p> 	<p>B 4x BBSG648</p> 	<p>C 8x BVZN64</p> 	<p>D 8x BBSG601</p> 
---	---	--	---




4x

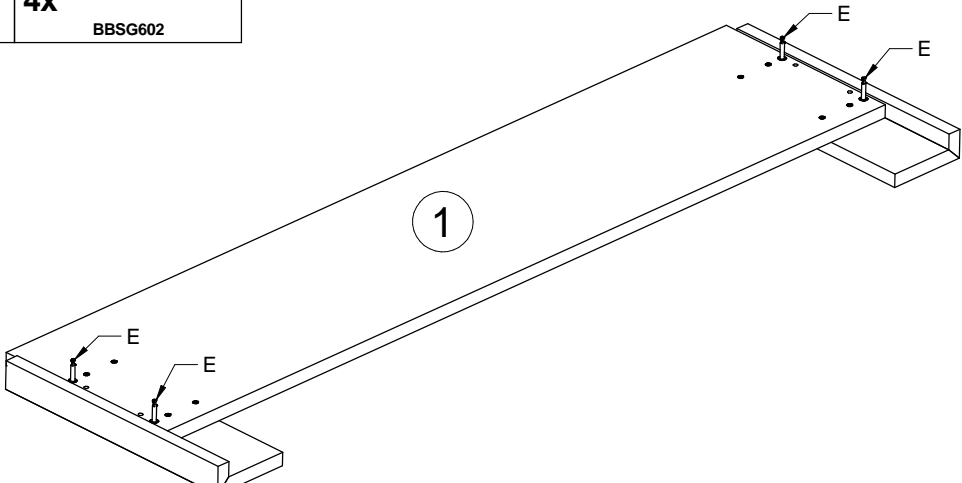


8x

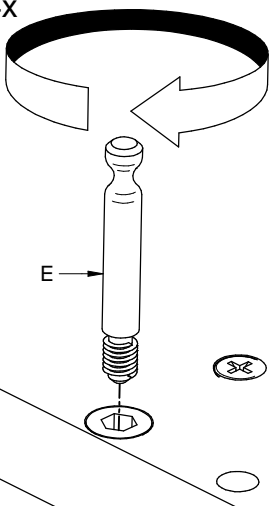


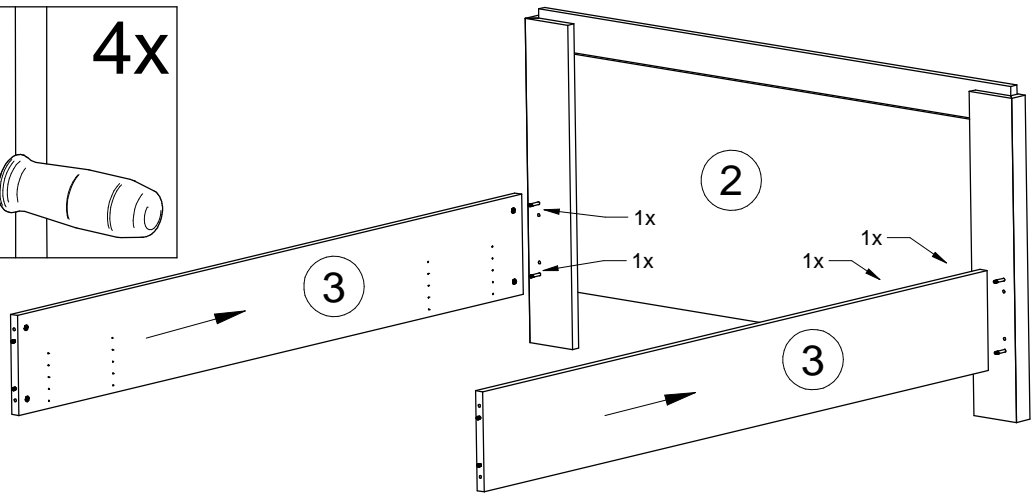
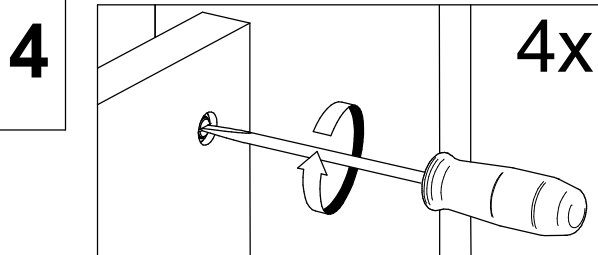
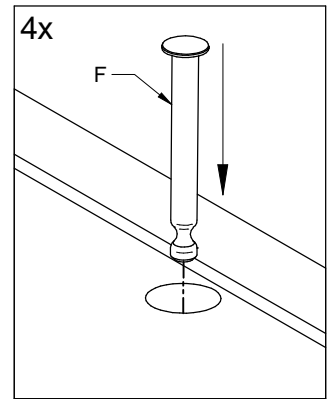
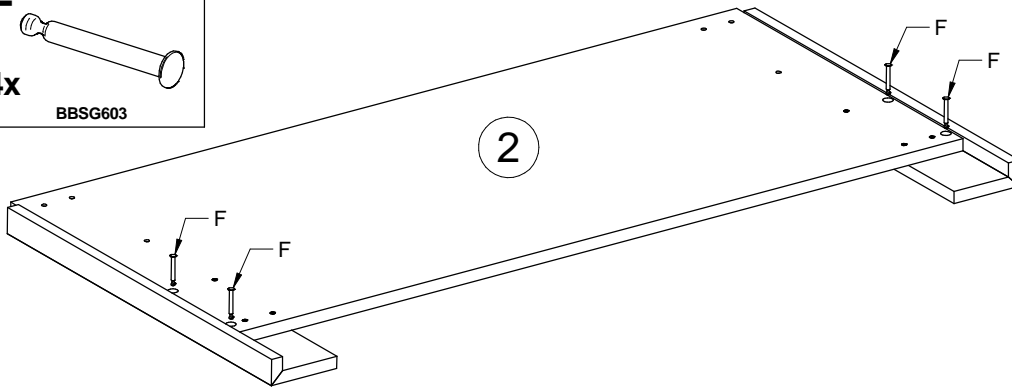
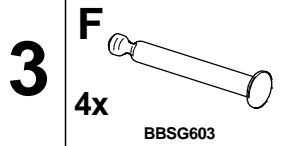
2

<p>E 4x BBSG602</p> 
--

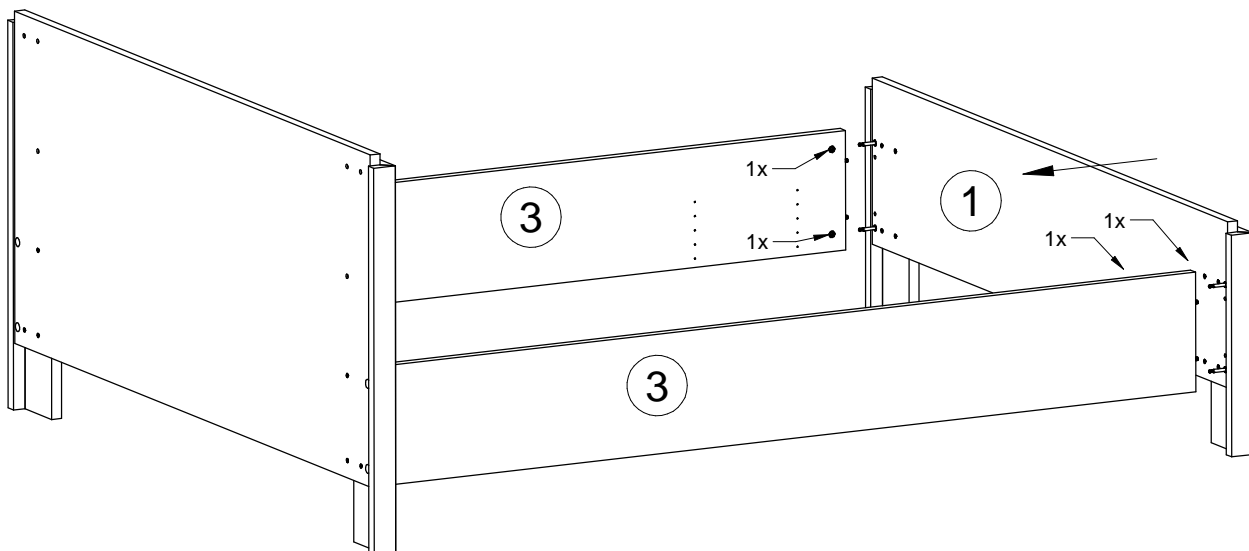
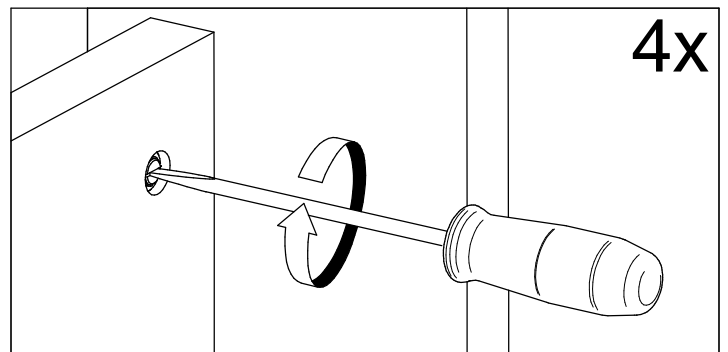


4x





5



6

