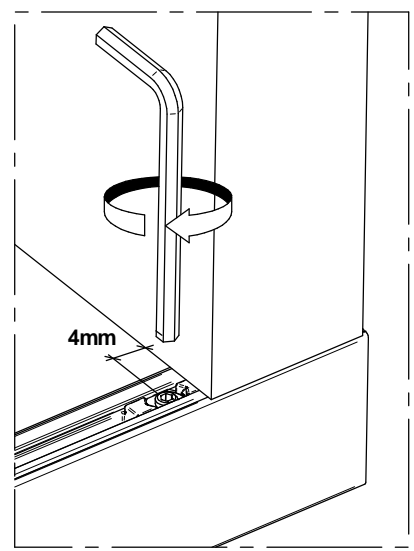
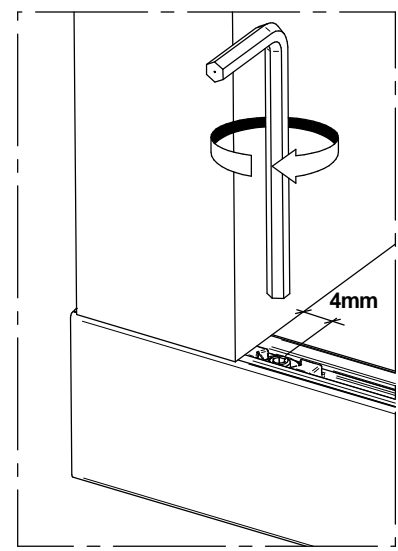
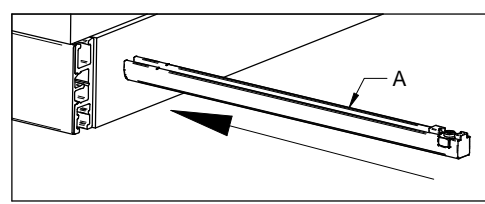
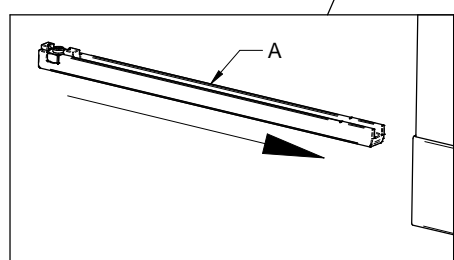
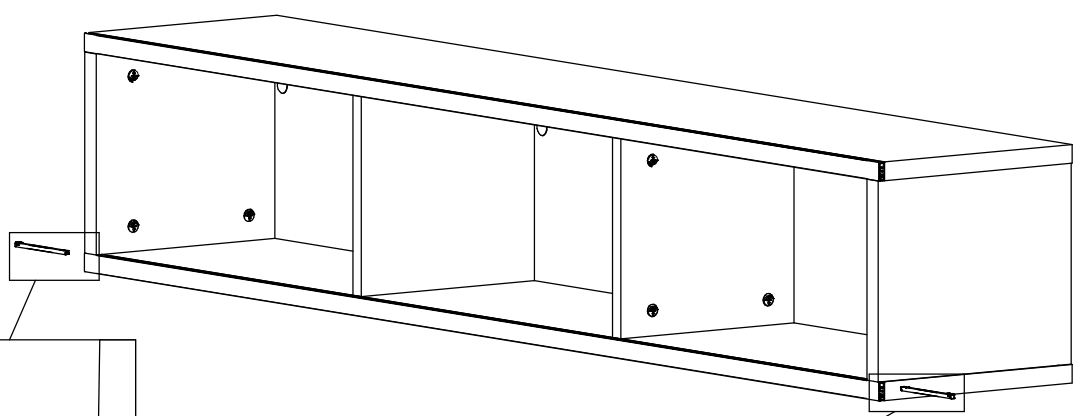
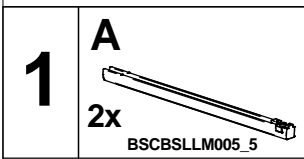
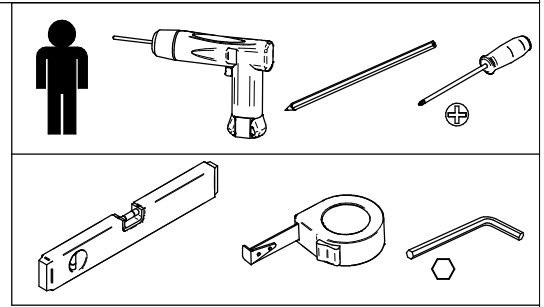
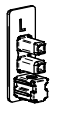
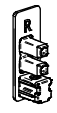
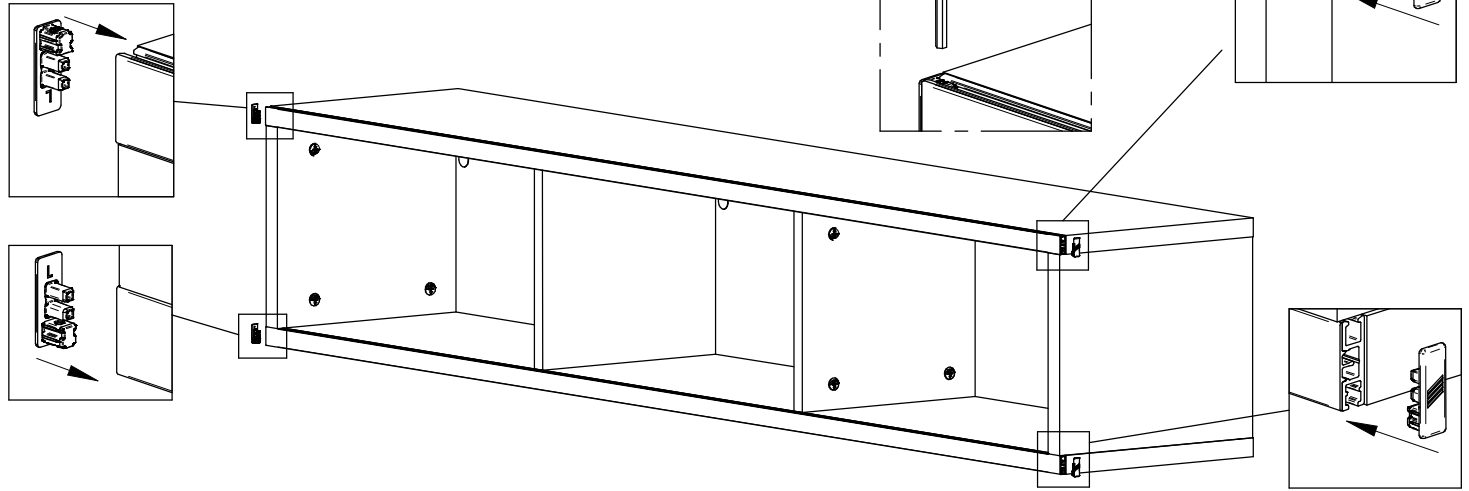
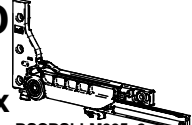

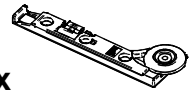
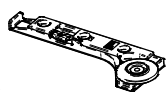

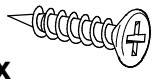


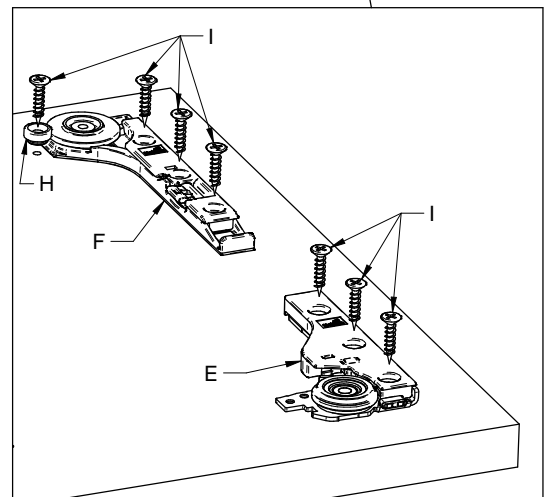
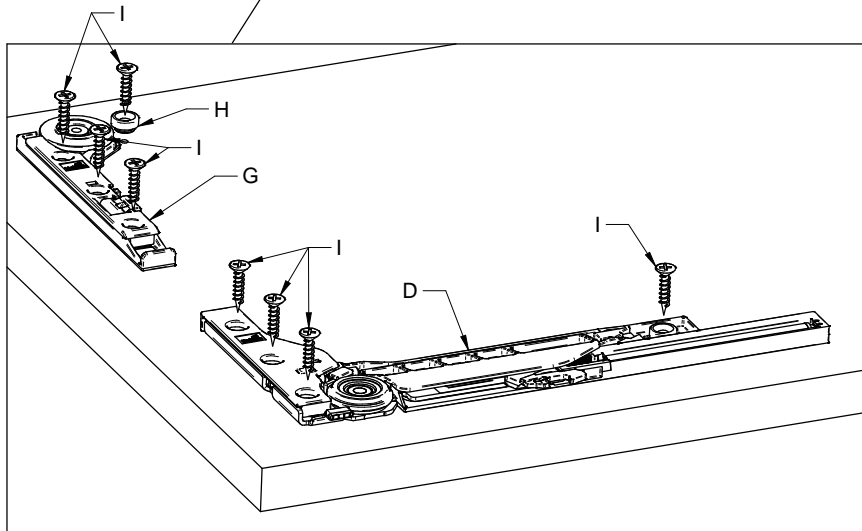
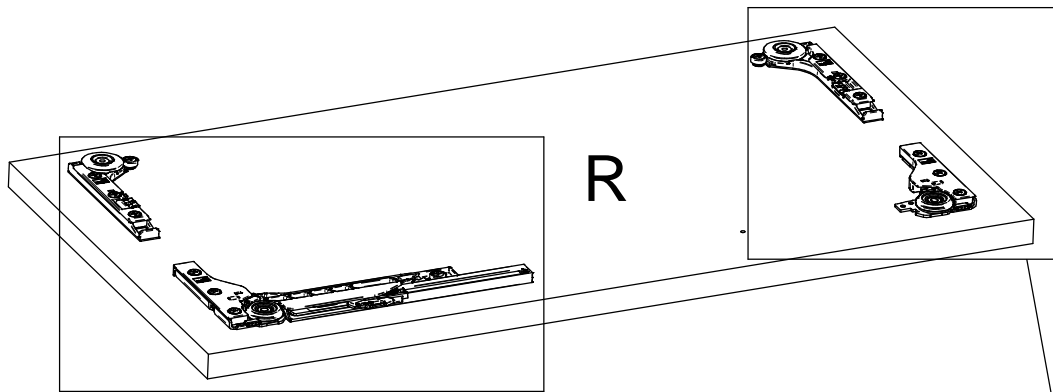
|                                       |   |                                 |                                      |
|---------------------------------------|---|---------------------------------|--------------------------------------|
| <b>A</b><br>2x<br>BSCBSLLM005_5       | <b>B</b><br>2x<br>BSCBSLLM002   | <b>C</b><br>2x<br>BSCBSLLM001   | <b>D</b><br>1x<br>BSCBSLLM005_2      |
| <b>E</b><br>1x<br>BSCBSLLM004_1       | <b>F</b><br>2x<br>BSCBSLLM005_3   | <b>G</b><br>2x<br>BSCBSLLM005_4 | <b>H</b><br>4x<br>BSCBSLLM005_6      |
| <b>I</b><br>34x<br>4 x 20mm<br>BVZN22 | <b>J</b><br>1x<br>BSCBSLLM005_1   | <b>K</b><br>1x<br>BSCBSLLM004_2 | <b>L</b><br>2x<br>BBSG675_2          |
| <b>M</b><br>2x<br>BBSG675_1           | <b>N</b><br>2x<br>BBSG675_3   | <b>O</b><br>8x<br>BBSG671       | <b>P</b><br>8x<br>6 x 70mm<br>BVZN87 |
| <b>Q</b><br>4x<br>BBSG675_4           | <p>De plaatser van dit meubel is verantwoordelijk voor het correct en stevig ophangen.<br/>                 Le poseur de ce mobilier est responsable d'accrocher correctement et solidement.<br/>                 The installer of this furniture is responsible for the correct and tightly hanging.</p> |                                 |                                      |




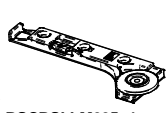

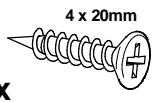


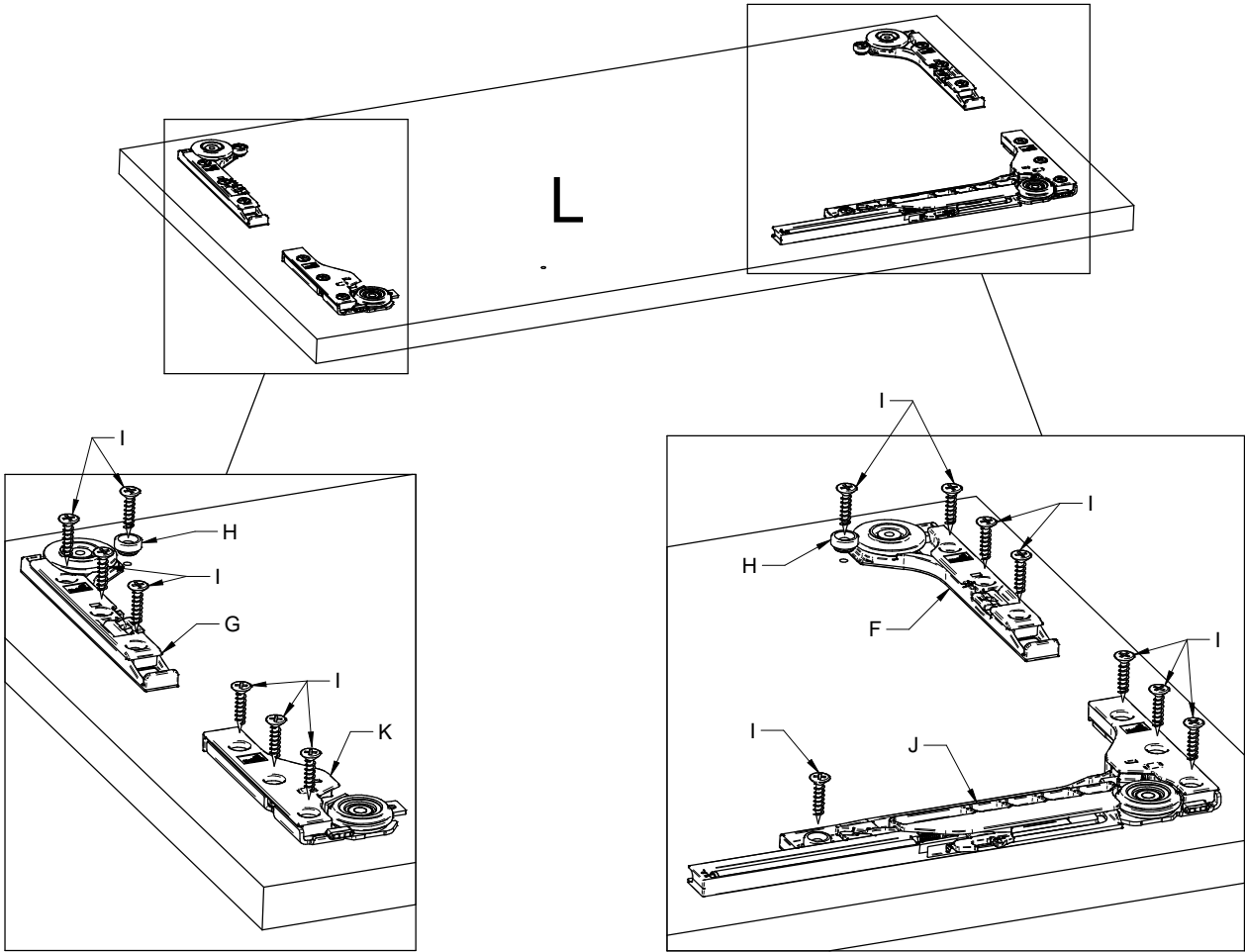
- |          |          |   |          |   |
|----------|----------|---|----------|---|
| <b>2</b> | <b>B</b> |  | <b>C</b> |  |
|          | 2x       | BSCBSLLM002   | 2x       | BSCBSLLM001   |

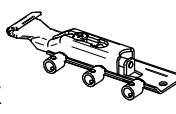
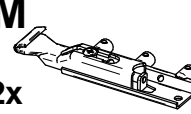
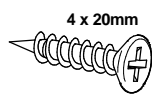
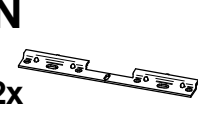


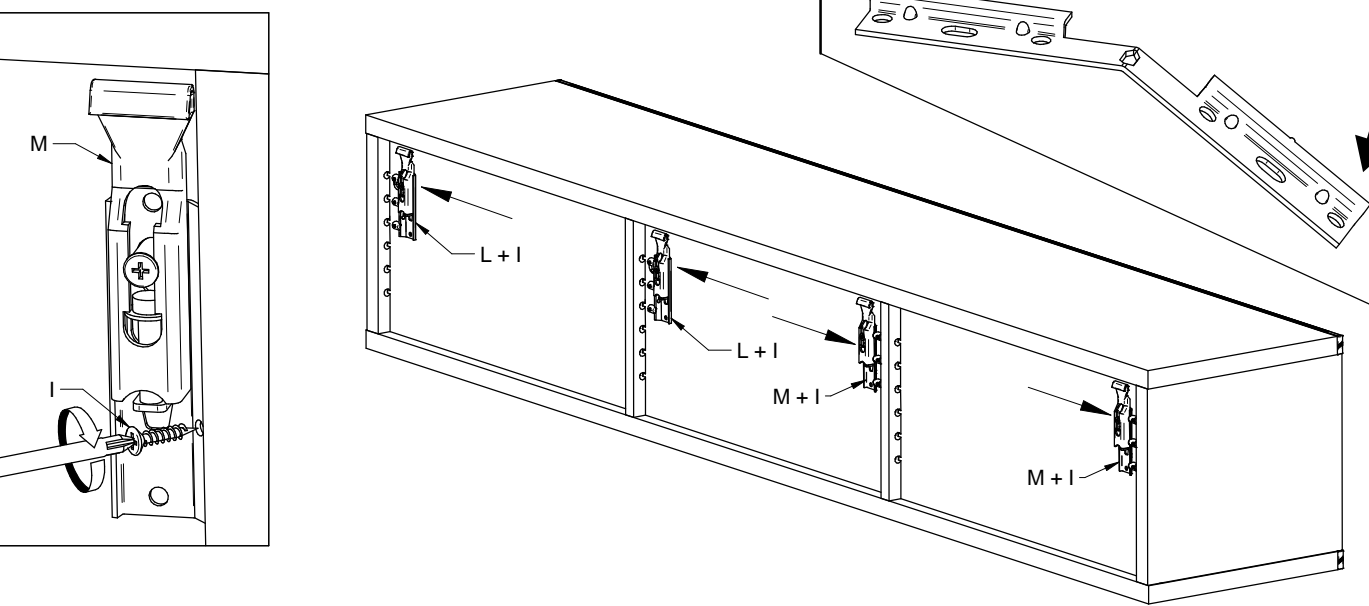
- |          |          |  |          |  |          |  |          |   |          |  |          |  |
|----------|----------|--|----------|--|----------|--|----------|---|----------|--|----------|--|
| <b>3</b> | <b>D</b> |  | <b>E</b> |  | <b>F</b> |  | <b>G</b> |  | <b>H</b> |  | <b>I</b> |  |
|          | 1x       | BSCBSLLM005_2  | 1x       | BSCBSLLM004_1  | 1x       | BSCBSLLM005_3  | 1x       | BSCBSLLM005_4   | 2x       | BSCBSLLM005_6  | 15x      | 4 x 20mm<br>BVZN22   |



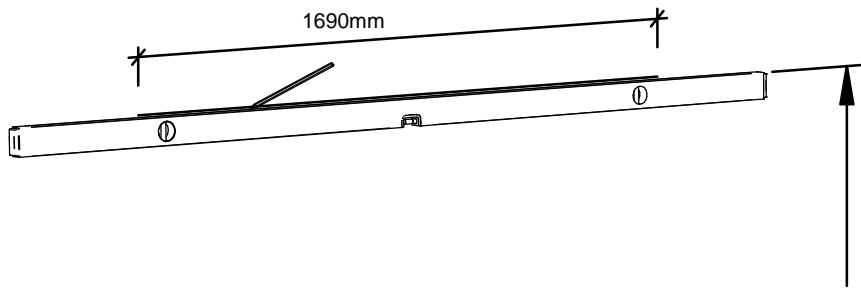
|          |  |  |  |   |  |  |
|----------|--|--|--|---|--|--|
| <b>4</b> | <b>J</b><br><br>1x<br>BSCBSLLM005_1 | <b>K</b><br><br>1x<br>BSCBSLLM004_2 | <b>F</b><br><br>1x<br>BSCBSLLM005_3 | <b>G</b><br><br>1x<br>BSCBSLLM005_4 | <b>H</b><br><br>2x<br>BSCBSLLM005_6 | <b>I</b><br><br>15x<br>BVZN22 |
|----------|--|--|--|---|--|--|



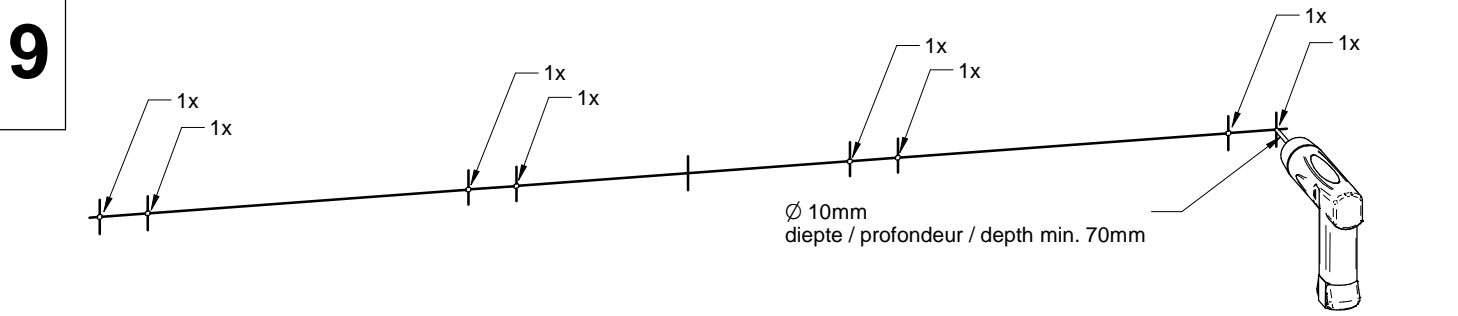
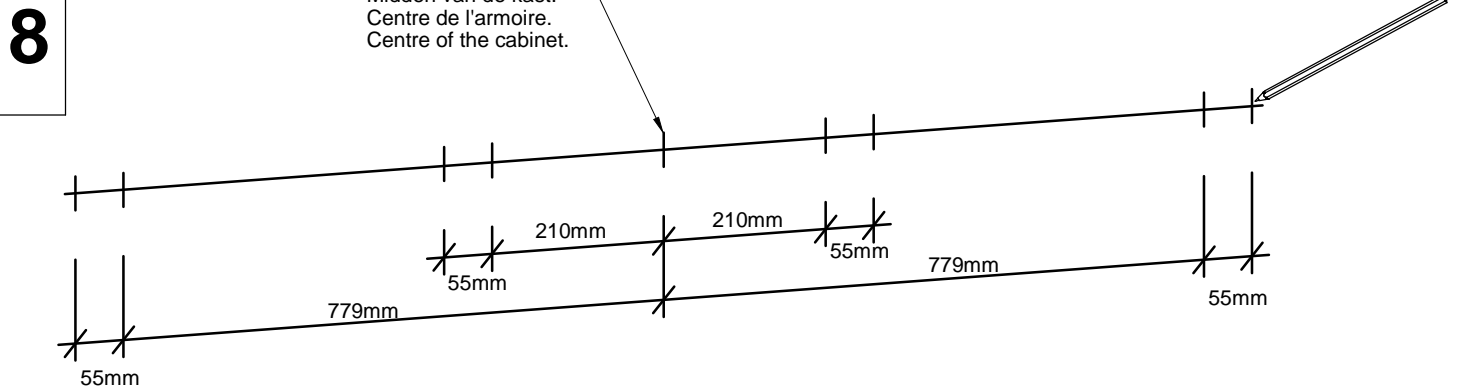
|          |  |  |   |  |   |
|----------|--|--|---|--|---|
| <b>5</b> | <b>L</b><br><br>2x<br>BBSG675_2 | <b>M</b><br><br>2x<br>BBSG675_1 | <b>I</b><br><br>4x<br>BVZN22 | <b>6</b><br><b>N</b><br><br>2x<br>BBSG675_3 | Breek het plaatje.<br>Cassez la plaque.<br>Break the plate. |
|----------|--|--|---|--|---|



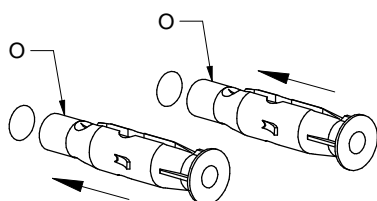
**7** Positie kast markeren op een stevige, massieve muur.  
Marquer le position de l'armoire sur un mur solide et massif.  
Mark the position of the cabinet on a solid and steady wall.



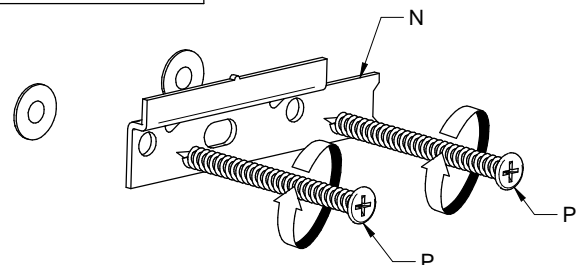
Hoogte tussen vloer en de bovenkant kast - 50mm  
 Hauteur entre sol et le dessus de l'armoire - 50mm  
 Height between floor and cabinet top - 50mm



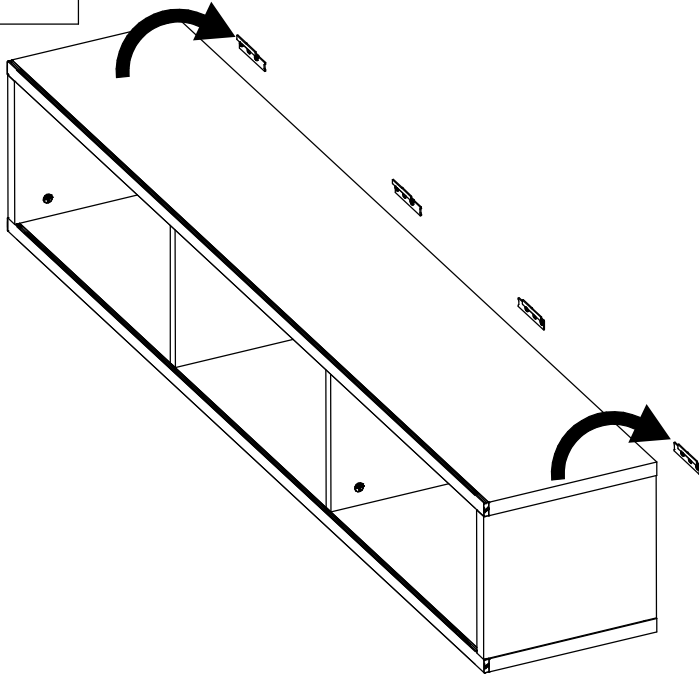
**10** **O**  
 8x  
 BBSG671



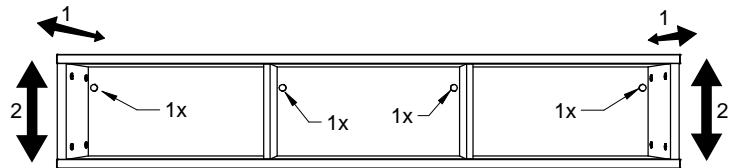
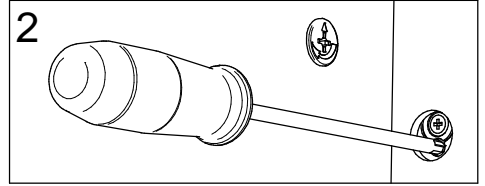
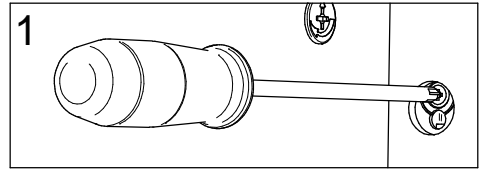
**11** **P**  
 8x  
 BVZN87



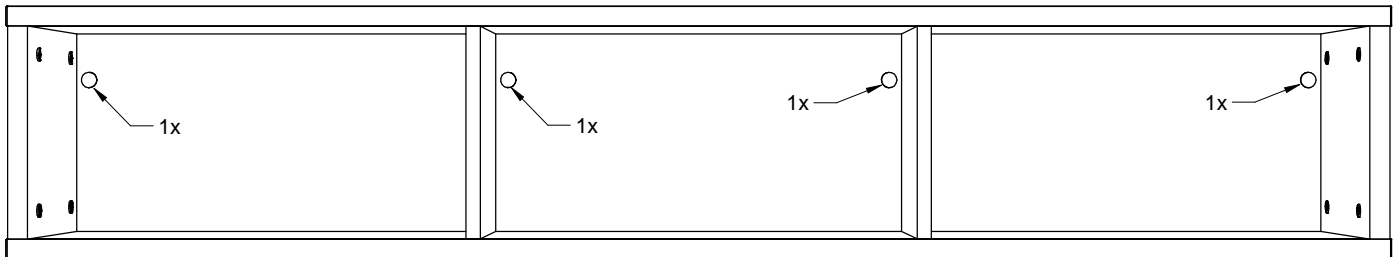
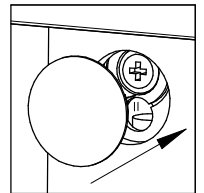
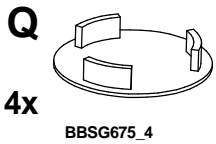
12



13



14



15

