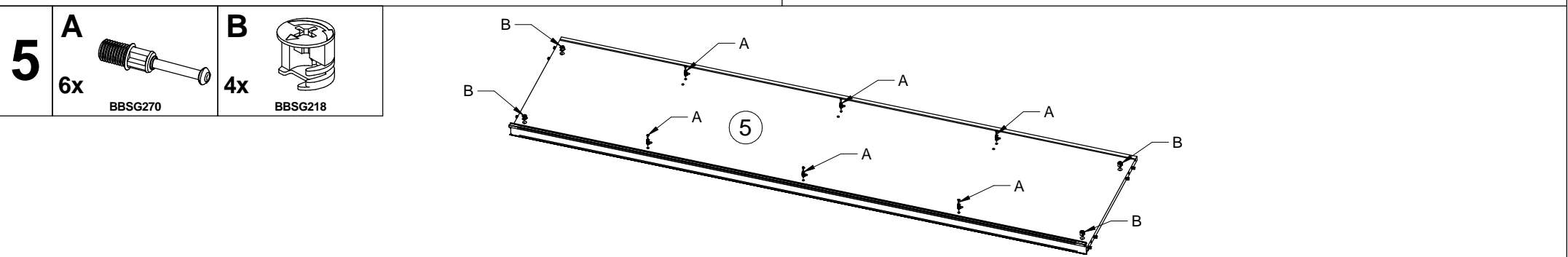
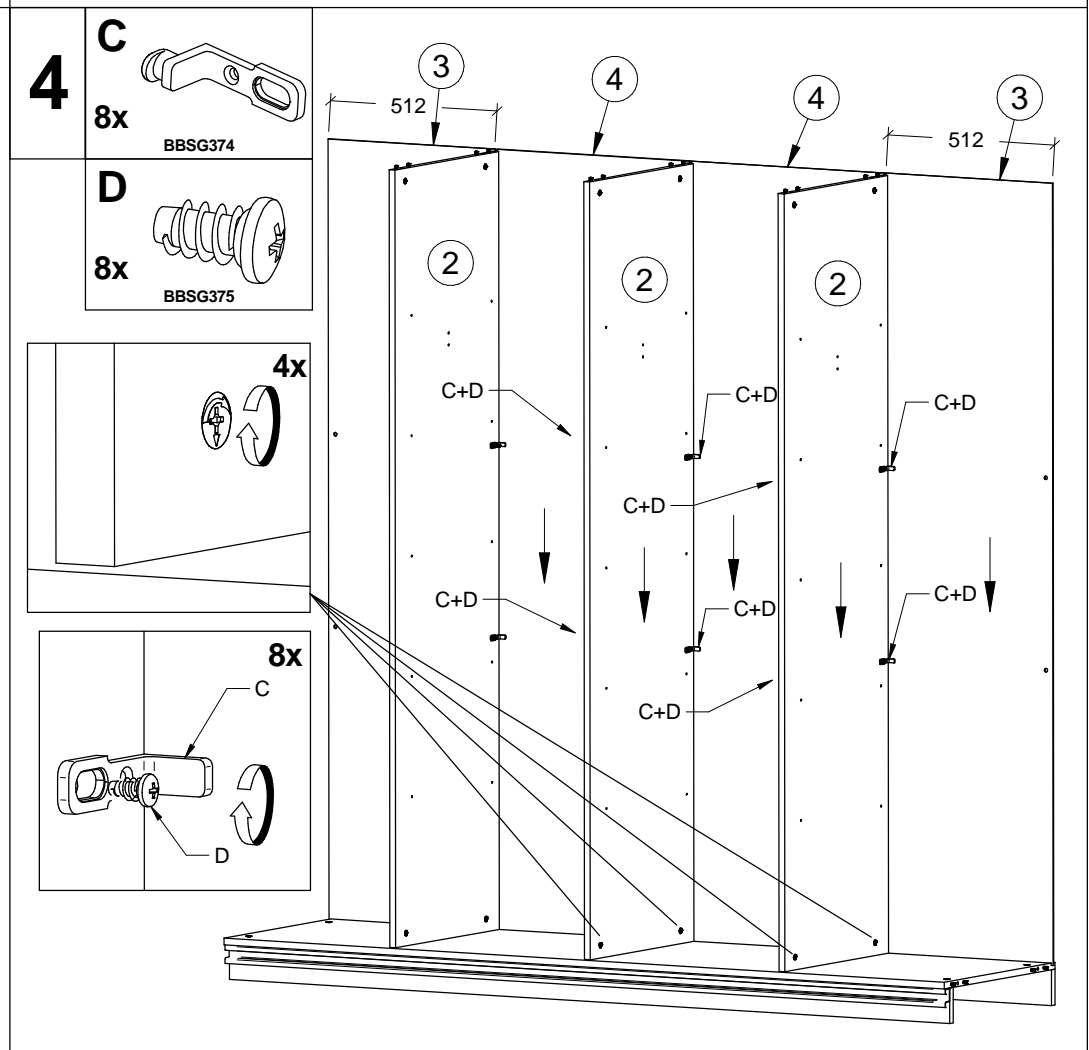
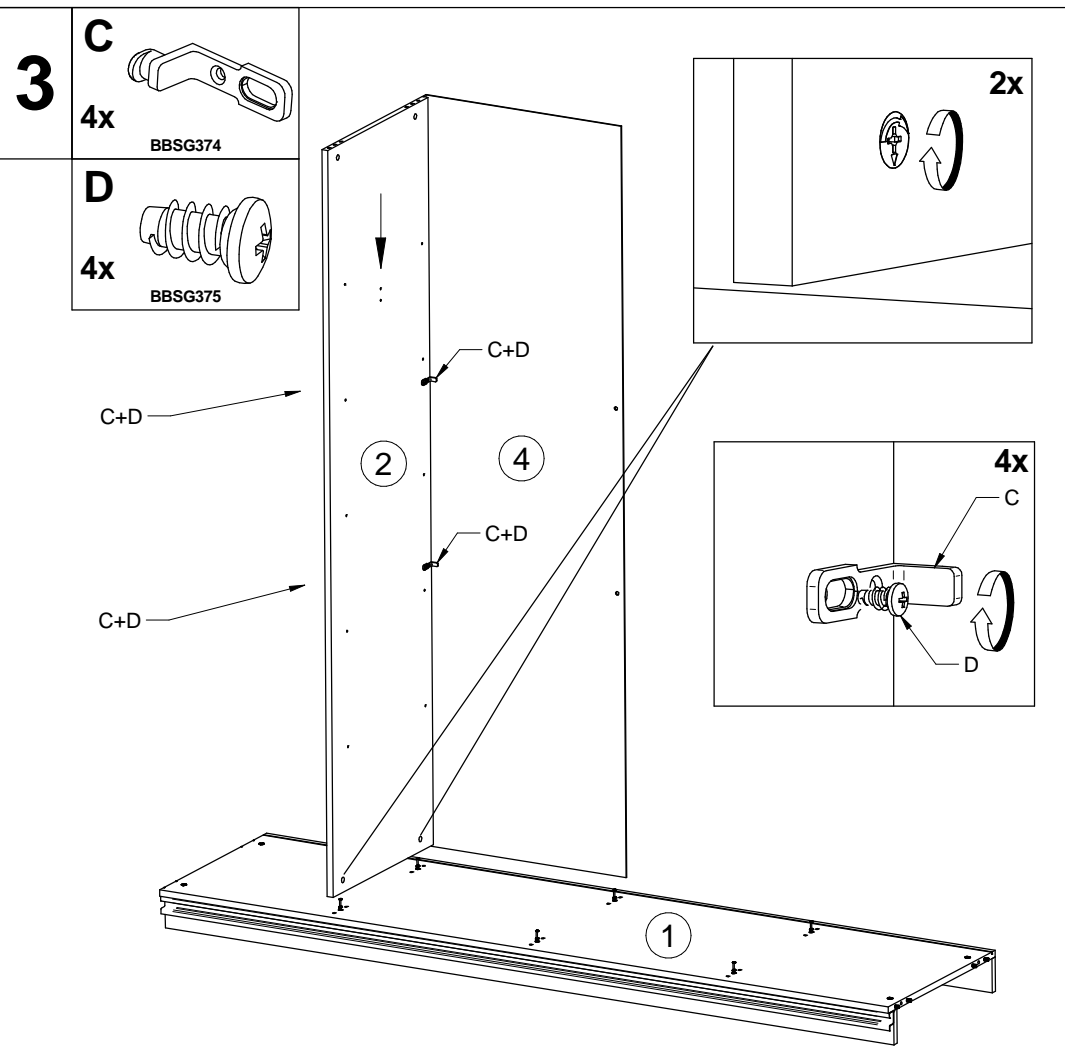
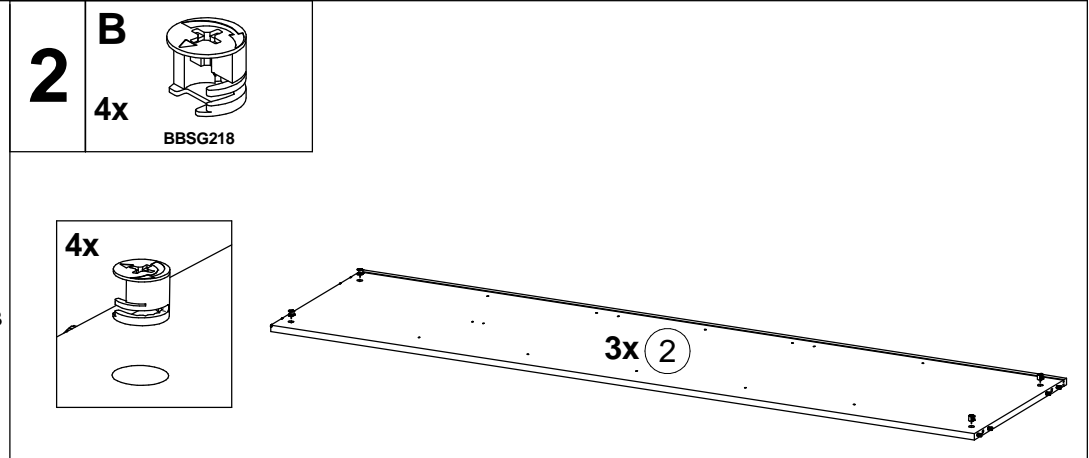
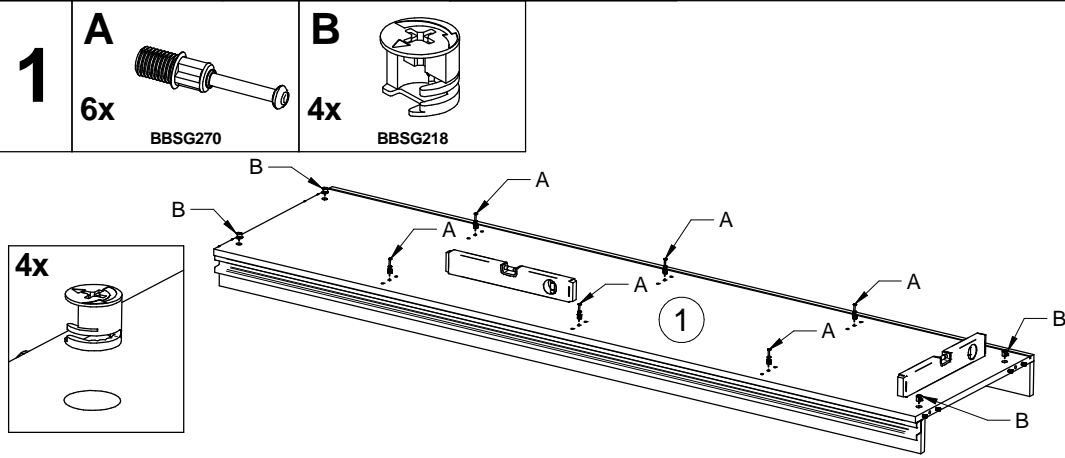
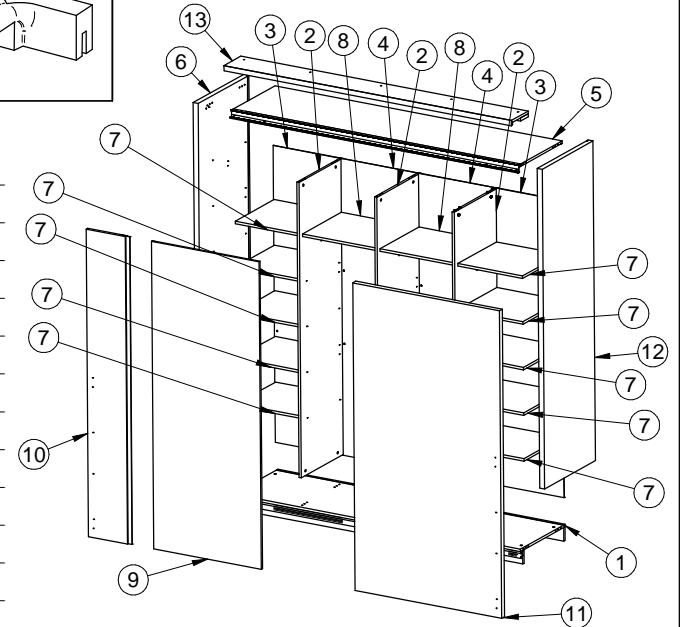
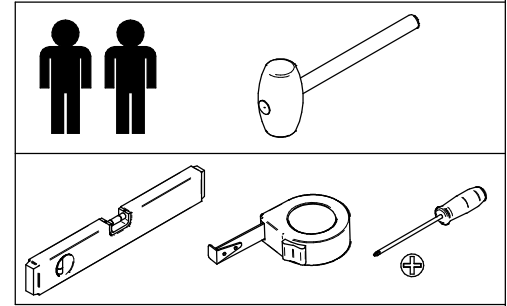
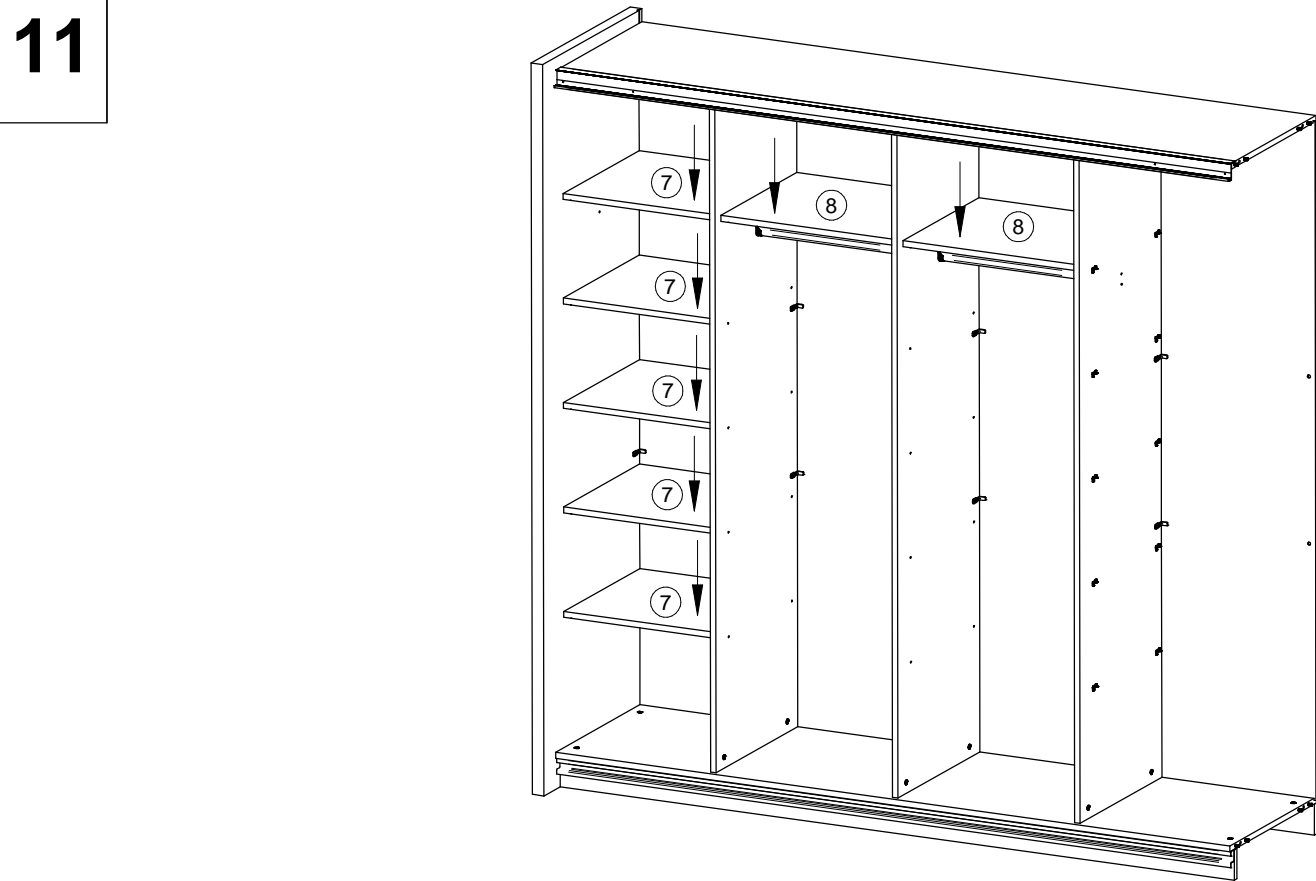
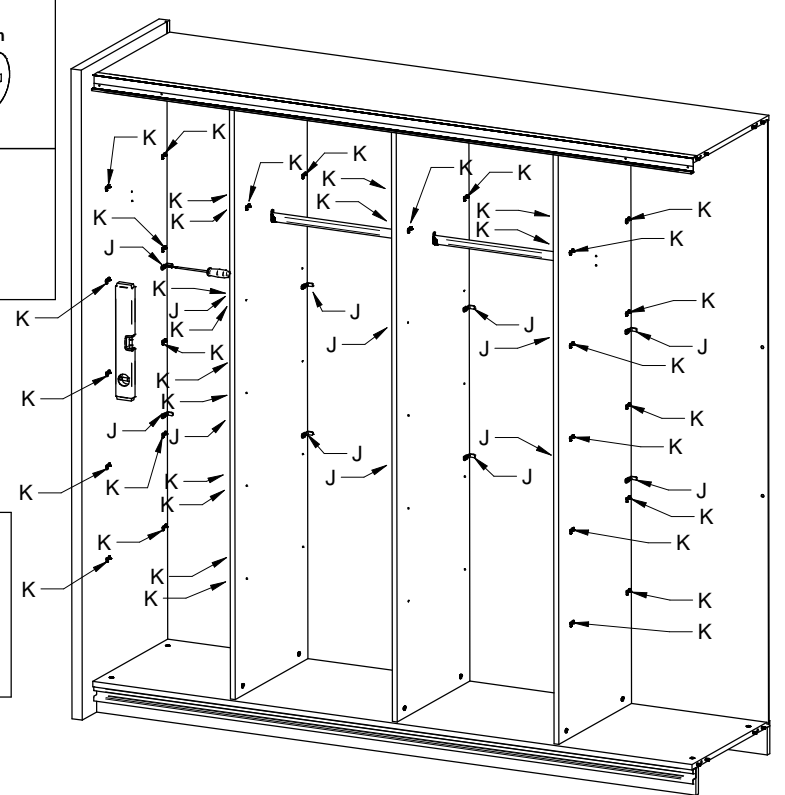
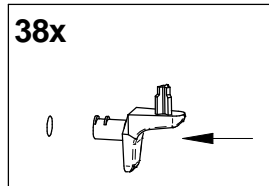
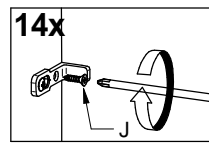
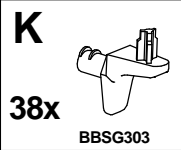
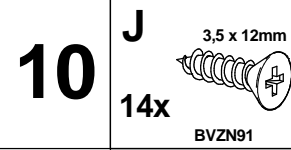
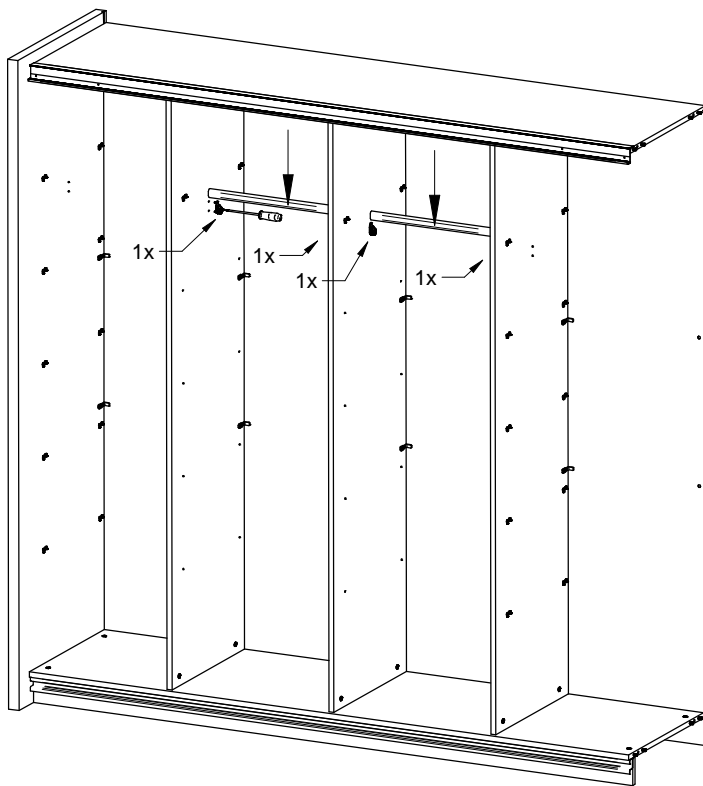
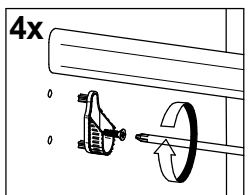
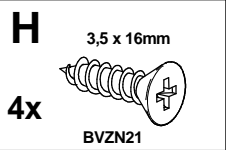
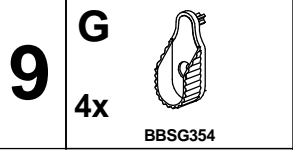
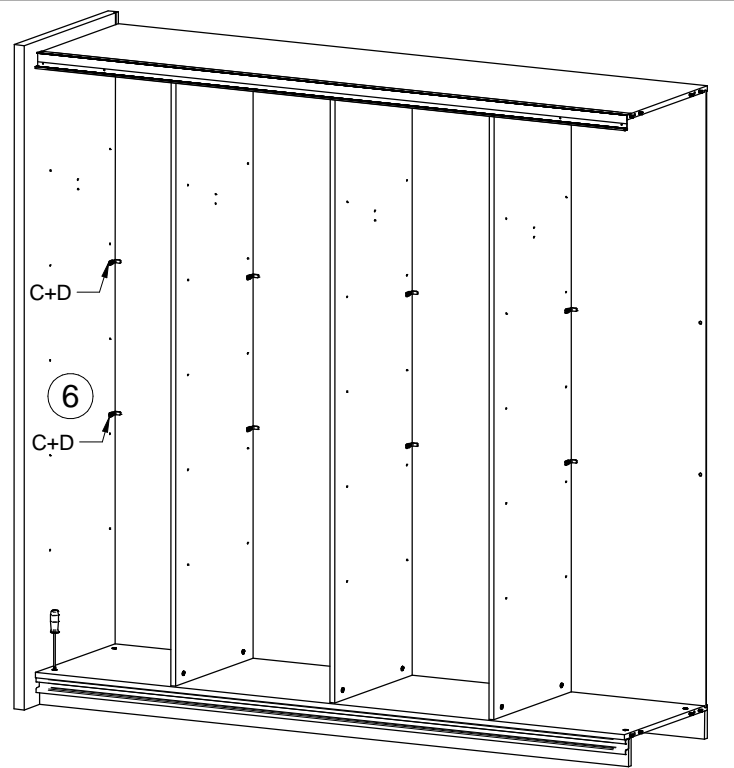
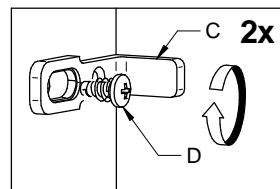
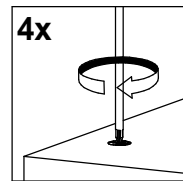
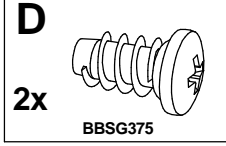
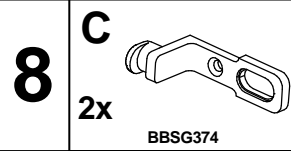
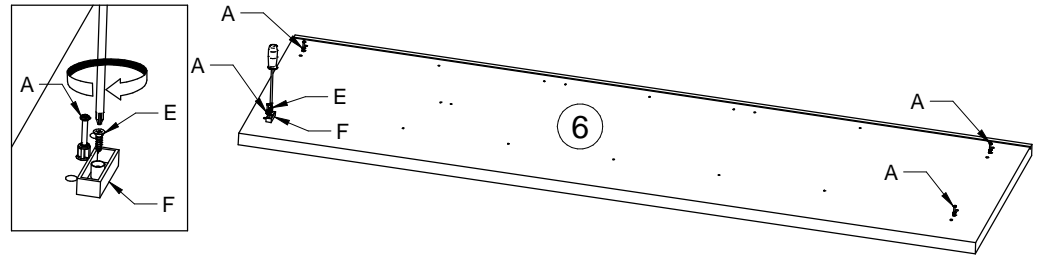
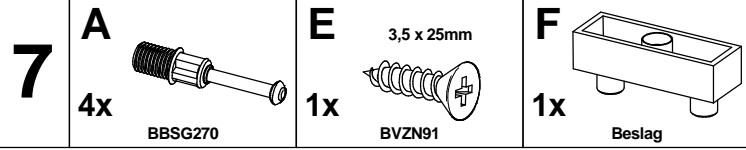
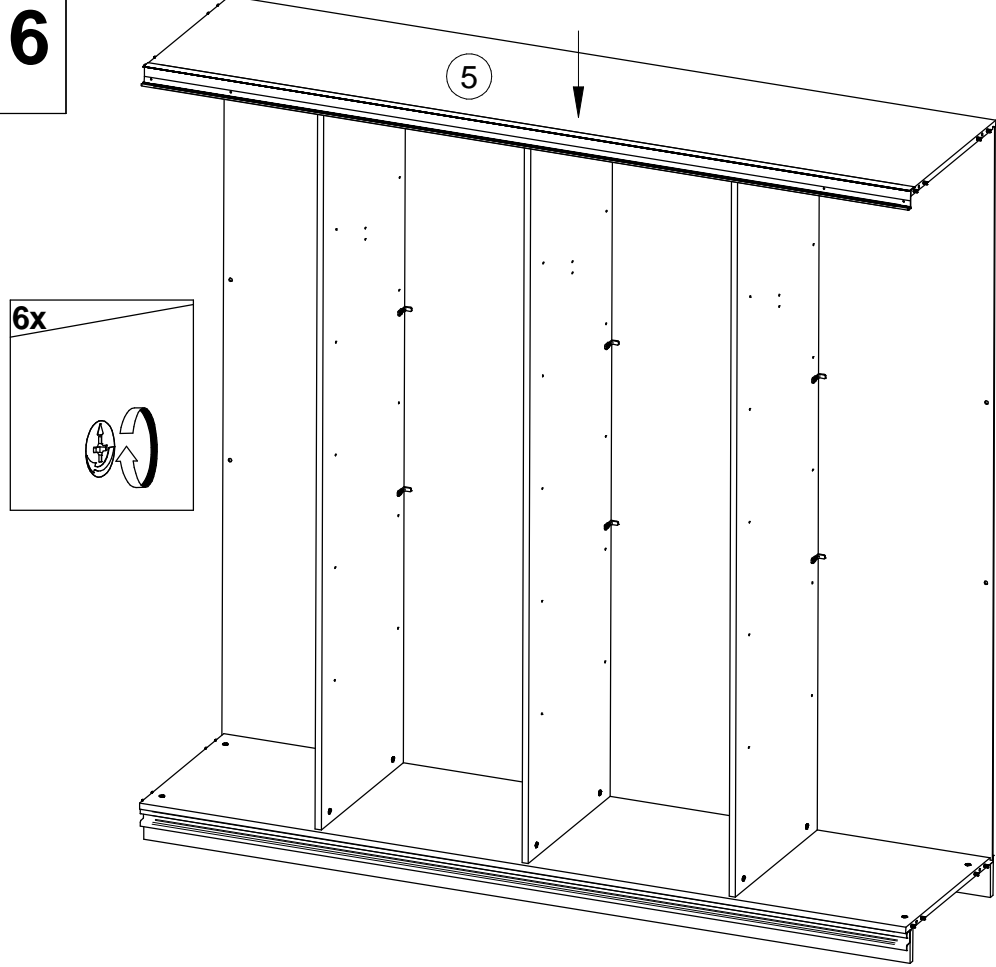


<b>A</b> 20x BBSG270	<b>B</b> 20x BBSG218	<b>C</b> 16x BBSG374	<b>D</b> 16x BBSG375	<b>E</b> 3x 3,5 x 25mm BVZN91	<b>F</b> 3x Beslag	<b>G</b> 4x BBSG354																																																								
<b>H</b> 4x 3,5 x 16mm BVZN21	<b>I</b> 2x	<b>J</b> 16x 3,5 x 12mm BVZN91	<b>K</b> 48x BBSG303	<b>L</b> 1x BSCBRIO103	<b>M</b> 1x BSCBRIO104	<b>N</b> 2x BSCBRIO102																																																								
<b>O</b> 2x BSCBRIO109	<b>P</b> 2x BSCBRIO110	<b>Q</b> 21x 4 x 16mm BVZN21	<b>R</b> 17x 4 x 12mm BVZN91	<b>S</b> 1x BSCBRIO106	<b>T</b> 1x	<b>U</b> 1x																																																								
<b>V</b> 1x		<b>X</b> 1x	<table border="1"> <thead> <tr> <th></th> <th>LUCCA 2290mm</th> <th>LUCCA 2840mm</th> <th></th> </tr> </thead> <tbody> <tr> <td>1</td> <td>OLUC155020</td> <td>OLUC1550201</td> <td>1x</td> </tr> <tr> <td>2</td> <td>OLUC155005</td> <td>OLUC155005</td> <td>3x</td> </tr> <tr> <td>3</td> <td>BLUC155003</td> <td>BLUC155003</td> <td>2x</td> </tr> <tr> <td>4</td> <td>OLUC155015</td> <td>OLUC155016</td> <td>2x</td> </tr> <tr> <td>5</td> <td>OLUC155003</td> <td>OLUC155011</td> <td>1x</td> </tr> <tr> <td>6</td> <td>OLUC158034</td> <td>OLUC158034</td> <td>1x</td> </tr> <tr> <td>7</td> <td>OLUC155007</td> <td>OLUC155007</td> <td>10x</td> </tr> <tr> <td>8</td> <td>OLUC155009</td> <td>OLUC155010</td> <td>2x</td> </tr> <tr> <td>9</td> <td>OLUC158070</td> <td>OLUC158071</td> <td>1x</td> </tr> <tr> <td>10</td> <td>OLUC158036</td> <td>OLUC158037</td> <td>1x</td> </tr> <tr> <td>11</td> <td>BLUC15801</td> <td>BLUC15802</td> <td>1x</td> </tr> <tr> <td>12</td> <td>OLUC158035</td> <td>OLUC158035</td> <td>1x</td> </tr> <tr> <td>13</td> <td>OLUC158060</td> <td>OLUC158061</td> <td>1x</td> </tr> </tbody> </table>					LUCCA 2290mm	LUCCA 2840mm		1	OLUC155020	OLUC1550201	1x	2	OLUC155005	OLUC155005	3x	3	BLUC155003	BLUC155003	2x	4	OLUC155015	OLUC155016	2x	5	OLUC155003	OLUC155011	1x	6	OLUC158034	OLUC158034	1x	7	OLUC155007	OLUC155007	10x	8	OLUC155009	OLUC155010	2x	9	OLUC158070	OLUC158071	1x	10	OLUC158036	OLUC158037	1x	11	BLUC15801	BLUC15802	1x	12	OLUC158035	OLUC158035	1x	13	OLUC158060	OLUC158061	1x
	LUCCA 2290mm	LUCCA 2840mm																																																												
1	OLUC155020	OLUC1550201	1x																																																											
2	OLUC155005	OLUC155005	3x																																																											
3	BLUC155003	BLUC155003	2x																																																											
4	OLUC155015	OLUC155016	2x																																																											
5	OLUC155003	OLUC155011	1x																																																											
6	OLUC158034	OLUC158034	1x																																																											
7	OLUC155007	OLUC155007	10x																																																											
8	OLUC155009	OLUC155010	2x																																																											
9	OLUC158070	OLUC158071	1x																																																											
10	OLUC158036	OLUC158037	1x																																																											
11	BLUC15801	BLUC15802	1x																																																											
12	OLUC158035	OLUC158035	1x																																																											
13	OLUC158060	OLUC158061	1x																																																											
<b>Y</b> 2x BTRGLUC002	<b>Z</b> 6x 3,5 x 30mm BVZN106	<b>AA</b> 6x 3,5 x 50mm BVZN107																																																												
<b>AB</b> 1x	<b>AC</b> 1x	<b>AD</b> 1x																																																												
<b>AE</b> 1x	<b>AF</b> 4x 18mm	<b>AG</b> 5x 5 x 50mm BVZN89																																																												





**12**

<b>L</b> 1x BSCBRI0103	<b>M</b> 1x BSCBRI0104	<b>N</b> 2x BSCBRI0102	<b>O</b> 2x BSCBRI0109	<b>P</b> 2x BSCBRI0110
<b>Q</b> 4 x 16mm 17x BVZN21	<b>R</b> 4 x 12mm 17x BVZN91	<b>S</b> 1x BSCBRI0106		

**13**

<b>T</b> 1x	<b>U</b> 1x	<b>V</b> 1x
<b>Q</b> 4 x 16mm 4x BVZN21	<b>X</b> 1x	

**14**

<b>Y</b> 2x BTRGLUC002	<b>Z</b> 6x 3,5 x 30mm BVZN106	<b>AA</b> 6x 3,5 x 50mm BVZN107
	<b>E</b> 1x 3,5 x 25mm BVZN91	<b>F</b> 1x BBSG576

**15**

**16**

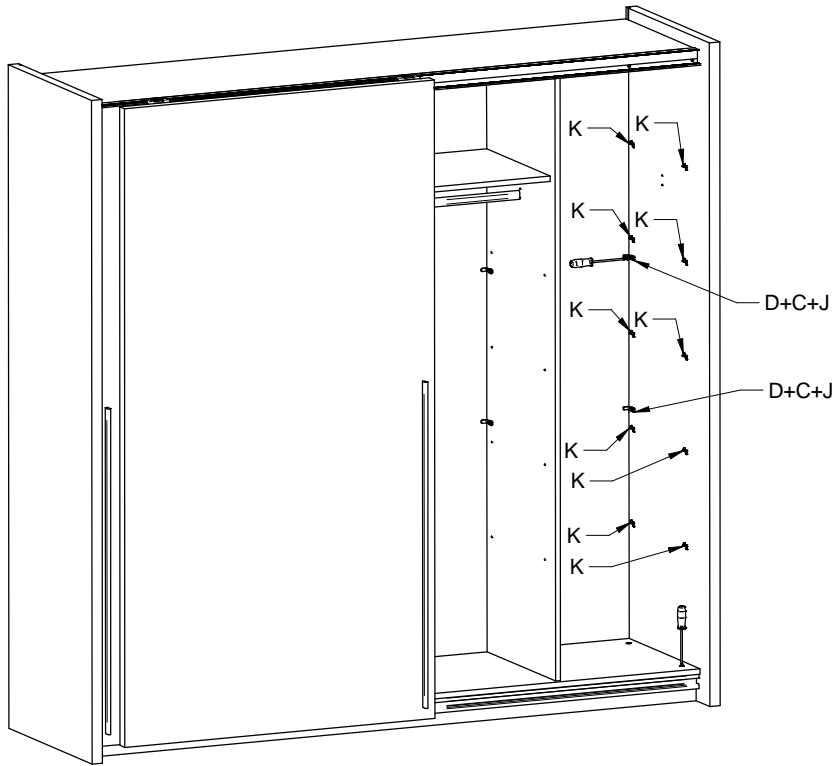
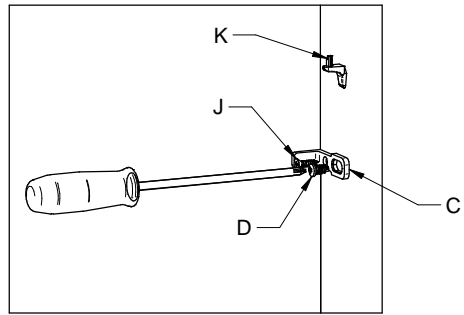
<b>AB</b> 1x	<b>AC</b> 1x

**17**

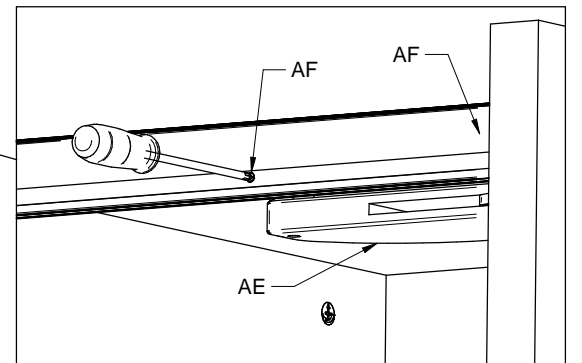
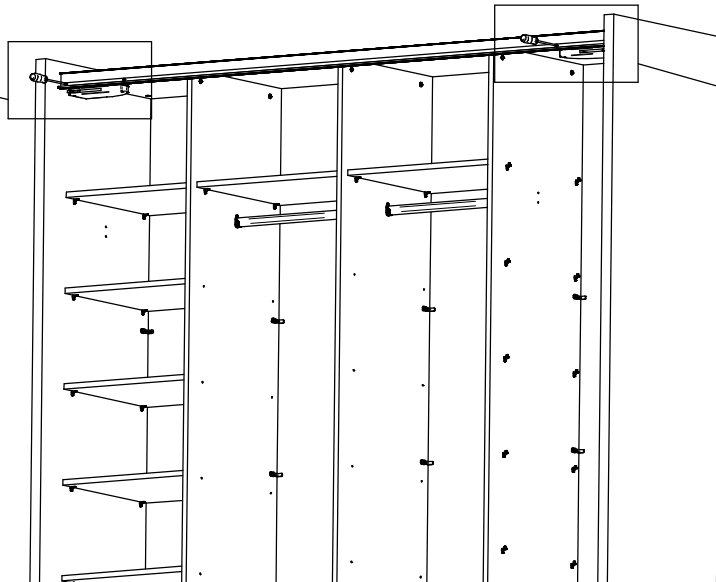
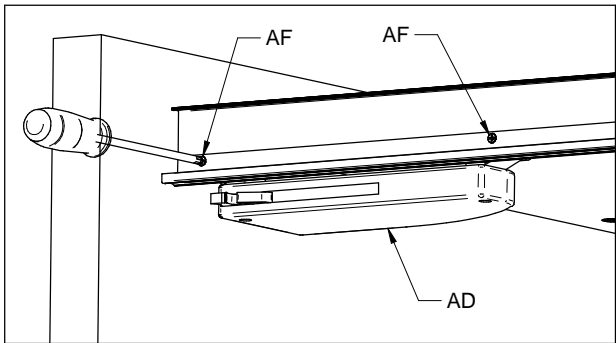
<b>A</b> 4x BBSG270	<b>E</b> 1x 3,5 x 25mm BVZN91	<b>F</b> 1x BBSG576

**18**

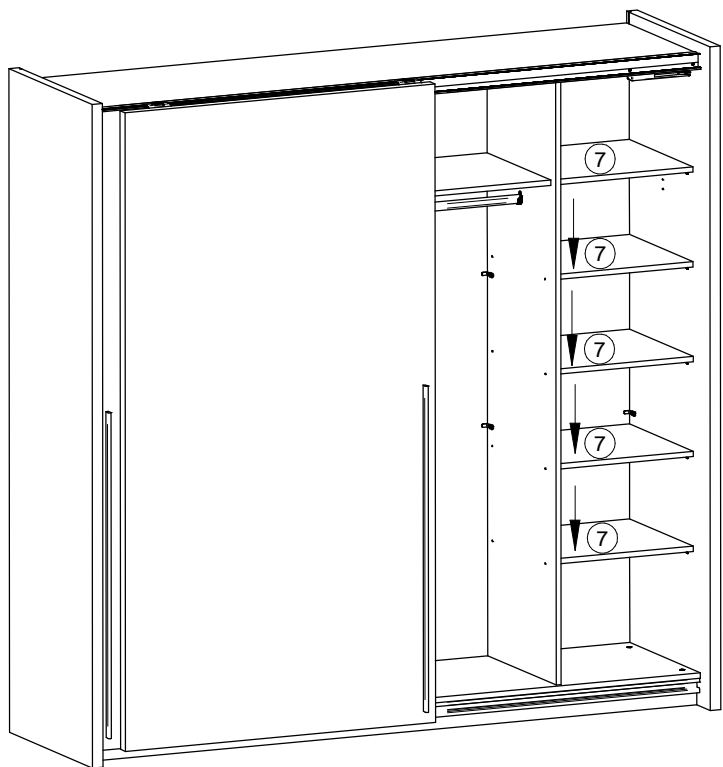
- |           |                           |                           |  |                            |
|-----------|---------------------------|---------------------------|--|----------------------------|
| <b>19</b> | <b>C</b><br>2x<br>BBSG374 | <b>D</b><br>2x<br>BBSG375 | <b>J</b><br>2x<br>3,5 x 12mm<br>BVZN91 | <b>K</b><br>10x<br>BBSG303 |
|           |                           |                           |  |                            |



- |           |                 |                 |                         |
|-----------|-----------------|-----------------|-------------------------|
| <b>20</b> | <b>AD</b><br>1x | <b>AE</b><br>1x | <b>AF</b><br>4x<br>18mm |
|           |                 |                 |                         |



**21**



**22**

- |                                       |
|---------------------------------------|
| <b>AG</b><br>5x<br>5 x 50mm<br>BVZN89 |
|---------------------------------------|

